

Pump type: Submersible sewage Pump  
 Application: Waste water, Seawater

**Pump data**

Solids passage 5"  
 Discharge/ Suction diameter 8"/ 8"  
 Impeller type: Closed screw impeller  
 Impeller diameter 260 - 265  
 Recommended min. flow 366 USGPM  
 Weight 881 lbs

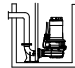
**Motor**

Mains: 60 c/s – 3 phase  
 Rated horse power 52.4 HP  
 Rated electrical power 45.3 kW  
 Rated kVA 52.9 kVA  
 Nominal speed 1730 rpm  
 Motor efficiency 86 %  
 Power factor (cos phi) 0.86  
 Degree of protection IP 68  
 Isolation class F (311°F)  
 Max. water temperature 104°F  
 Standard cable length 33 ft

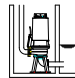
**Materials**

Pump casing AISI 329  
 Impeller AISI 329  
 Motor unit AISI 329  
 Shaft AISI 431  
 Bolts AISI 316  
 Elastomers Viton (FPM)  
 Electrical cable Neoprene (CR)  
 Seal lubrication Oil  
 Seal pump side Silicon carbide – silicon carbide - FPM  
 Seal motor side Carbon – Ceramic - FPM

**Installation options**

Guide bar coupling OWK200-N (cast iron) 

Freestanding 8" hose connection 

Dry Installation vertical or horizontal  
 Including cooling system discharge 8"  
 suction 8" 

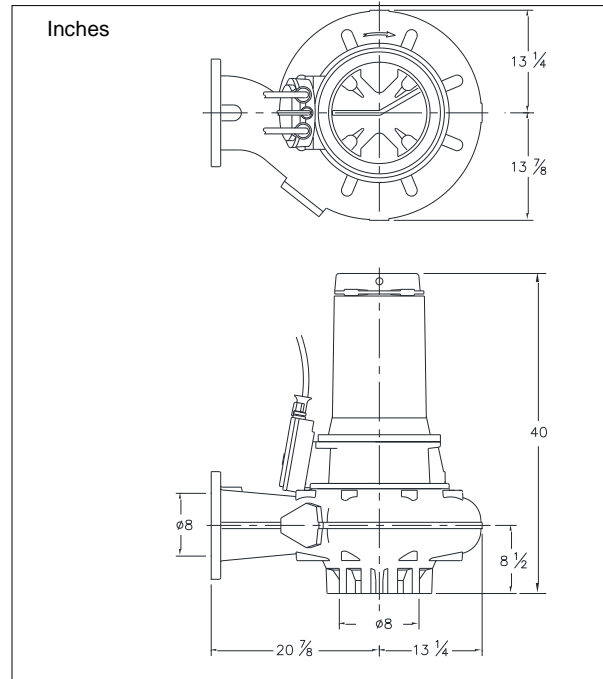
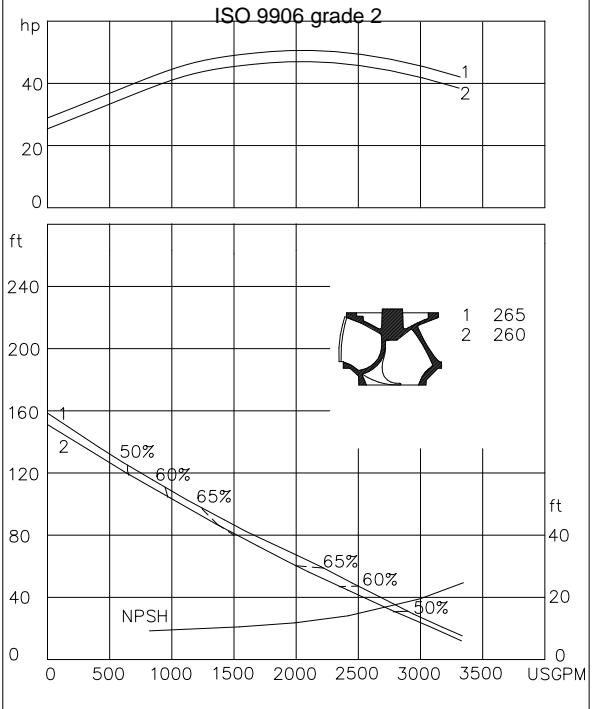
**Options available**

- Version with cooling system
- Cable protective sheathing (AISI 316)
- Water detector in motor and oil chamber
- Flameproof acc. IECEx class Ex d IIB T4 Gb

**Connections**

		electrical cable size	
voltage	current	with motor protection and/or water detector	
[V]*	[A]	direct start	star delta start
380	80.3	2x AWG 6/4 + AWG 14/4	-
460	66.4	2x AWG 8/4 + AWG 14/4	2x AWG 6/4 + AWG 14/4
575	53.1	2x AWG 8/4 + AWG 14/4	2x AWG 8/4 + AWG 14/4
starting current DOL start : 4.5 x rated current			
starting current YD start: 1.5 x rated current			

15.9 USGPM = 1l/s, 1ft = 0.3m, 1hp = 0.746kW, 1lb = 0.45kg



Pump type: Submersible sewage Pump  
 Application: Waste water, Seawater

**Pump data**

Solids passage 5"  
 Discharge/ Suction diameter 8" / 8"  
 Impeller type: Closed screw impeller  
 Impeller diameter 332 - 285  
 Recommended min. flow 366 USGPM  
 Weight 881 lbs

**Motor**

Mains: 60 c/s – 3 phase  
 Rated horse power 32.2 HP  
 Rated electrical power 27.3 kW  
 Rated kVA 31.4 kVA  
 Nominal speed 1165 rpm  
 Motor efficiency 88 %  
 Power factor (cos phi) 0.87  
 Degree of protection IP 68  
 Isolation class F (311°F)  
 Max. water temperature 104°F  
 Standard cable length 33 ft

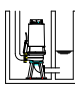
**Materials**

Pump casing AISI 329  
 Impeller AISI 329  
 Motor unit AISI 329  
 Shaft AISI 431  
 Bolts AISI 316  
 Elastomers Viton (FPM)  
 Electrical cable Neoprene (CR)  
 Seal lubrication Oil  
 Seal pump side Silicon carbide – silicon carbide - FPM  
 Seal motor side Carbon – Ceramic - FPM

**Installation options**

Guide bar coupling OWK200-N (cast iron) 

Freestanding 8" hose connection  
 Including support 

Dry Installation vertical or horizontal  
 Including cooling system discharge 8"  
 suction 8" 

**Options available**

- Version with cooling system
- Cable protective sheathing (AISI 316)
- Water detector in motor and oil chamber
- Flameproof acc. IECEx class Ex d IIB T4 Gb

**Connections**

voltage	current	electrical cable size	
		with motor protection and/or water detector	
[V]*	[A]	direct start	star delta start
220	82.0	2x AWG 6/4 + AWG 14/4	-
380	47.5	2x AWG 8/4 + AWG 14/4	2x AWG 8/4 + AWG 14/4
460	39.2	AWG 6/4 + AWG 14/4	2x AWG 10/4 + AWG 14/4
575	31.4	AWG 8/4 + AWG 14/4	2x AWG 10/4 + AWG 14/4
starting current DOL start : 4.8 x rated current			
starting current YD start: 1.6 x rated current			

