

Pump type: Submersible cutter pump
 Application: Waste water, sewage

Pump data

Discharge diameter 40 mm
 Impeller type: Cutter
 Impeller diameter 106 mm
 Recommended min. flow 0.5 l/sec (2 m3/h)
 Weight 47 kg

Motor

Mains: **60Hz** – 3 phase
 Rated shaft power 1.7 kW
 Rated electrical power 2.5 kW
 Nominal speed 3350 rpm
 Motor efficiency 69 %
 Power factor (cos phi) 0.91
 Degree of protection IP 68
 Isolation class F (155°C)
 Max. water temperature 40°C
 Standard cable length 10 m

Materials

Pump casing Cast iron EN-GJL-250
 Impeller Cast iron EN-GJS-400-15
 Cutter Hardened chrome steel
 Motor unit Cast iron EN-GJL-250
 Shaft AISI 431
 Alt: AISI 316
 Bolts AISI 316
 Elastomers Nitrile (NBR) or Neoprene (CR)
 Alt: viton (FPM)
 Electrical cable Neoprene (CR)
 Seal lubrication Oil
 Seal pump side Silicon carbide – Silicon carbide
 Seal motor side Carbon - Ceramic
 Coating Two components polyurethane

Installation options

Header coupling BWK 050



Guide bar coupling OWK 050



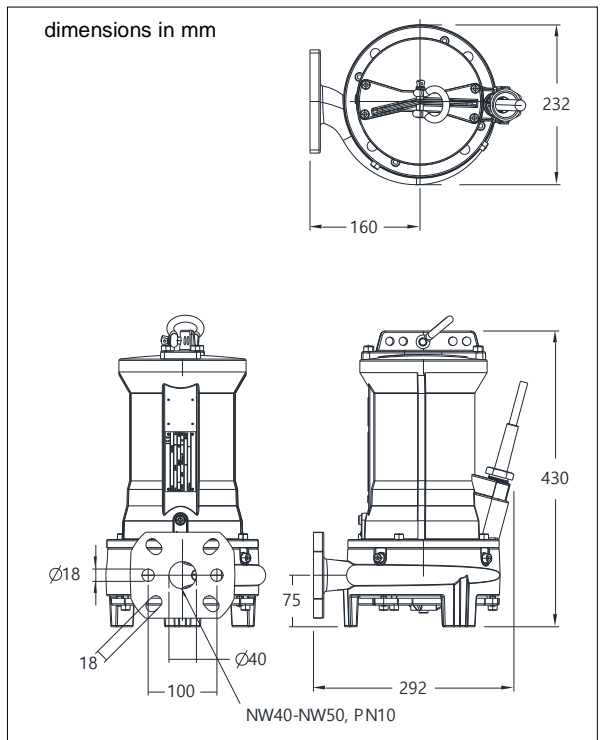
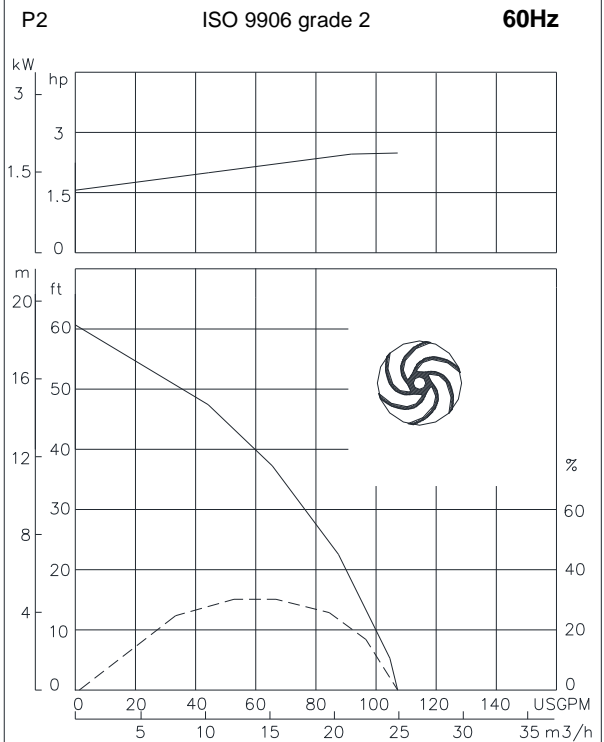
Freestanding (VRS) 50 mm or 75 mm hose connection or G 2" threaded connection



Optional

- Flameproof version, to class: II 2 G Ex d IIB c T4
 Standard: II 2 G Ex b c d IIB T4 Gb
 With Frequency control: II 2 G Ex b c d IIB T3 Gb
- Thermo switches in stator windings (standard for flame proof version)
- Cable protective sheathing (AISI 316)
- Water detector in motor and oil chamber

4.4USGPM = 1m3/h, 1ft = 0.3m, 1hp = 0.746kW, 1lb = 0.45kg



Connections

voltage	current	Electrical cable size [mm2]		motor protection and/or water detector	flameproof version	
		direct start			direct start	
[V]*	[A]	direct start		direct start		direct start
208	7.6	4G1.5		7G1.5		7G1.5
230	6.9	4G1.5		7G1.5		7G1.5
460	3.4	4G1.5		7G1.5		7G1.5
575	2.8	4G1.5		7G1.5		7G1.5
starting current DOL start : 4.3 x rated current						
						* other voltages on request

Pump type: Submersible cutter pump
 Application: Waste water, sewage

Pump data

Discharge diameter 40 mm
 Impeller type: Cutter
 Impeller diameter 128 mm
 Recommended min. flow 0.5 l/sec (2 m3/h)
 Weight 49 kg

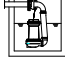
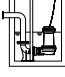

Motor

Mains: 60Hz – 3 phase
 Rated shaft power 3.0 kW
 Rated electrical power 4.0 kW
 Nominal speed 3360 rpm
 Motor efficiency 75 %
 Power factor (cos phi) 0.90
 Degree of protection IP 68
 Isolation class F (155°C)
 Max. water temperature 40°C
 Standard cable length 10 m

Materials

Pump casing Cast iron EN-GJL-250
 Impeller Cast iron EN-GJS-400-15
 Cutter Hardened chrome steel
 Motor unit Cast iron EN-GJL-250
 Shaft AISI 431
 Alt: AISI 316
 Bolts AISI 316
 Elastomers Nitrile (NBR) or Neoprene (CR)
 Alt: Viton (FPM)
 Electrical cable Neoprene (CR)
 Seal lubrication Oil
 Seal pump side Silicon carbide – Silicon carbide
 Seal motor side Carbon - Ceramic
 Coating Two components polyurethane

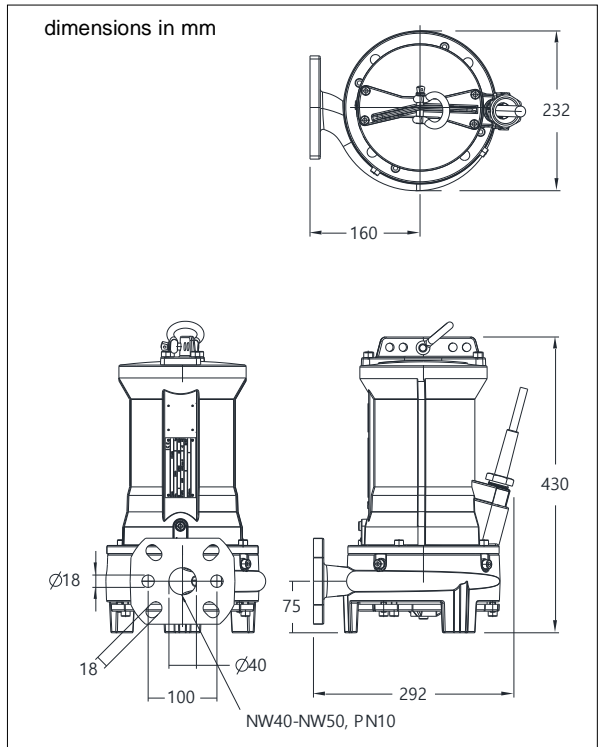
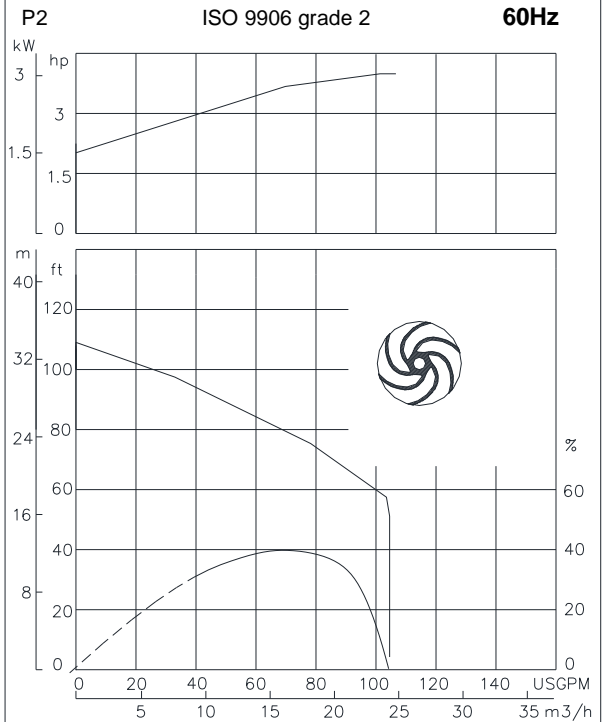
Installation options

Header coupling BWK 050 
 Guide bar coupling OWK 050 
 Freestanding (VRS) 50 mm or 75 mm hose connection or G 2" threaded connection 

Optional

- Flameproof version, to class: II 2 G Ex d IIB c T4
 Standard: II 2 G Ex b c d IIB T4 Gb
 With Frequency control: II 2 G Ex b c d IIB T3 Gb
- Thermo switches in stator windings (standard for flame proof version)
- Cable protective sheathing (AISI 316)
- Water detector in motor and oil chamber

4.4USGPM = 1m3/h, 1ft = 0.3m, 1hp = 0.746kW, 1lb = 0.45kg



Connections

voltage [V]*	current [A]	Electrical cable size [mm ²]		motor protection and/or water detector		flameproof version	
		direct start	stardelta start	direct start	stardelta start	direct start	stardelta start
208	12.3	4G1.5	7G1.5	7G1.5	12G1.5	7G1.5	12G1.5
230	11.1	4G1.5	7G1.5	7G1.5	12G1.5	7G1.5	12G1.5
460	5.6	4G1.5	7G1.5	7G1.5	12G1.5	7G1.5	12G1.5
575	4.4	4G1.5	7G1.5	7G1.5	12G1.5	7G1.5	12G1.5
starting current DOL start : 4.6 x rated current							
starting current YD start : 1.5 x rated current							
				* other voltages on request			

Pump type: Submersible cutter pump
 Application: Waste water, sewage

Pump data

Discharge diameter 40 mm
 Impeller type: Cutter
 Impeller diameter 150 mm
 Recommended min. flow 0.5 l/sec (2 m3/h)
 Weight 51 kg


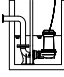

Motor

Mains: **60Hz** – 3 phase
 Rated shaft power 4.6 kW
 Rated electrical power 5.6 kW
 Nominal speed 3410 rpm
 Motor efficiency 82 %
 Power factor (cos phi) 0.85
 Degree of protection IP 68
 Isolation class F (155°C)
 Max. water temperature 40°C
 Standard cable length 10 m

Materials

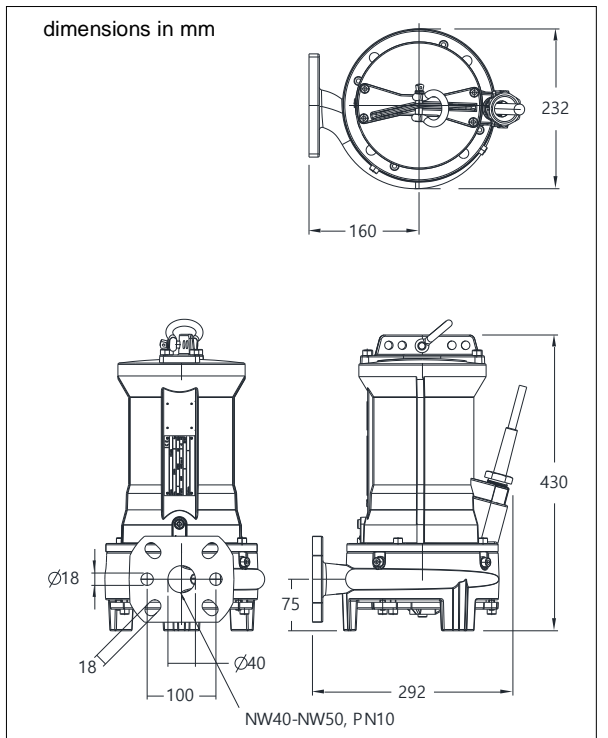
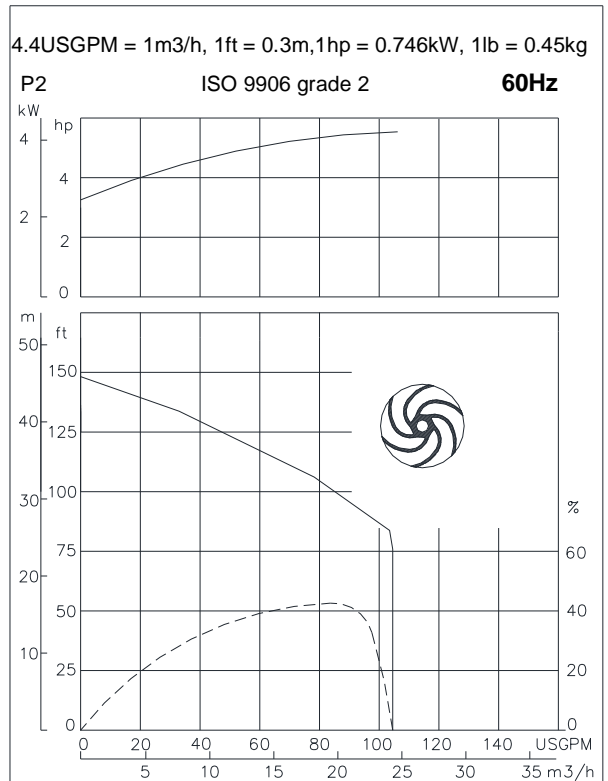
Pump casing Cast iron EN-GJL-250
 Impeller Cast iron EN-GJS-400-15
 Cutter Hardened chrome steel
 Motor unit Cast iron EN-GJL-250
 Shaft AISI 431
 Bolts Alt: AISI 316
 AISI 316
 Elastomers Nitrile (NBR) or Neoprene (CR)
 Alt: Viton (FPM)
 Neoprene (CR)
 Electrical cable Neoprene (CR)
 Seal lubrication Oil
 Seal pump side Silicon carbide – Silicon carbide
 Seal motor side Carbon - Ceramic
 Coating Two components polyurethane

Installation options

Header coupling BWK 050 
 Guide bar coupling OWK 050 
 Freestanding (VRS) 50 mm or 75 mm hose connection or G 2" threaded connection 

Optional

- Flameproof version, to class: II 2 G Ex d IIB c T4
 Standard: II 2 G Ex b c d IIB T4 Gb
 With Frequency control: II 2 G Ex b c d IIB T3 Gb
- Thermo switches in stator windings (standard for flame proof version)
- Cable protective sheathing (AISI 316)
- Water detector in motor and oil chamber



Connections

voltage [V]*	current [A]	Electrical cable size [mm ²]		motor protection and/or water detector		flameproof version		
		direct start	stardelta start	direct start	stardelta start	direct start	stardelta start	
208	18.3	4G2.5	7G1.5	7G2.5	12G1.5	7G2.5	12G1.5	
230	16.6	4G2.5	7G1.5	7G2.5	12G1.5	7G2.5	12G1.5	
460	8.3	4G1.5	7G1.5	7G1.5	12G1.5	7G1.5	12G1.5	
575	6.6	4G1.5	7G1.5	7G1.5	12G1.5	7G1.5	12G1.5	
starting current DOL start : 6.2 x rated current								
starting current YD start : 2.1 x rated current								
							* other voltages on request	

Pump type: Submersible cutter pump
 Application: Waste water, sewage

Pump data

Discharge diameter: 40 mm
 Impeller type: Cutter
 Impeller diameter: 96 mm
 Recommended min. flow: 0.5 l/sec (2 m3/h)
 Weight: 47 kg

Motor

Mains: **60Hz** – 3 phase
 Rated shaft power: 1.7 kW
 Rated electrical power: 2.5 kW
 Nominal speed: 3350 rpm
 Motor efficiency: 69 %
 Power factor (cos phi): 0.91
 Degree of protection: IP 68
 Isolation class: F (155°C)
 Max. water temperature: 40°C
 Standard cable length: 10 m

Materials

Pump casing: Cast iron EN-GJL-250
 Impeller: Cast iron EN-GJS-400-15
 Cutter: Hardened chrome steel
 Motor unit: Cast iron EN-GJL-250
 Shaft: AISI 431
 Bolts: Alt: AISI 316
 Elastomers: AISI 316
 Nitrile (NBR) or Neoprene (CR)
 Alt: viton (FPM)
 Neoprene (CR)
 Electrical cable: Neoprene (CR)
 Seal lubrication: Oil
 Seal pump side: Silicon carbide – Silicon carbide
 Seal motor side: Carbon - Ceramic
 Coating: Two components polyurethane

Installation options

Header coupling: BWK 050



Guide bar coupling: OWK 050

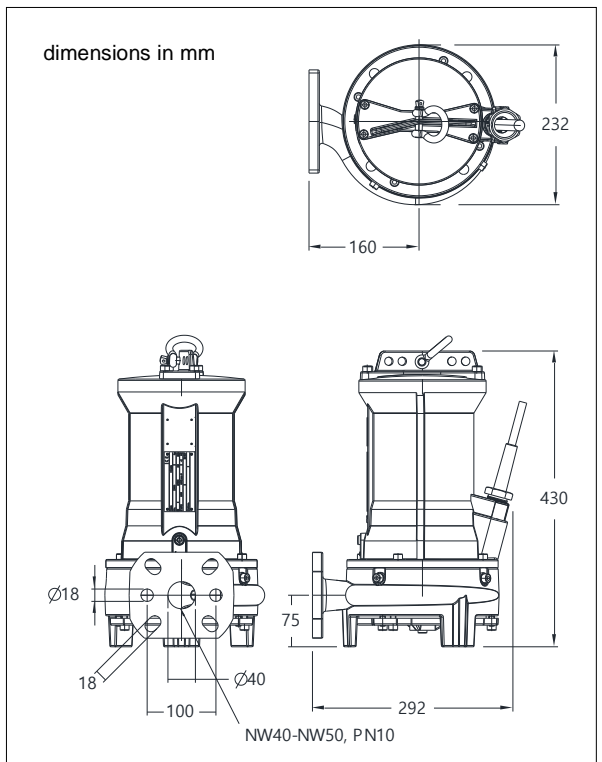
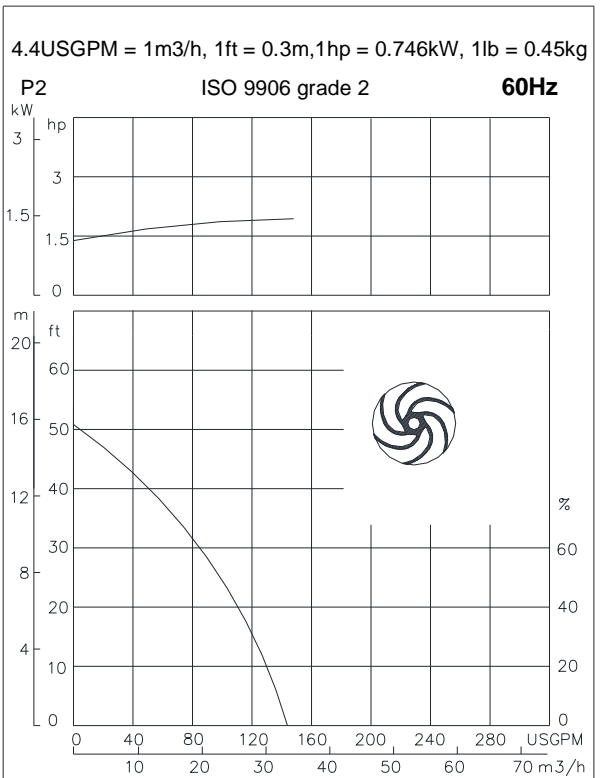


Freestanding (VRS): 50 mm or 75 mm hose connection or G 2" threaded connection



Optional

- Flameproof version, to class: II 2 G Ex d IIB c T4
 Standard: II 2 G Ex b c d IIB T4 Gb
 With Frequency control: II 2 G Ex b c d IIB T3 Gb
- Thermo switches in stator windings (standard for flame proof version)
- Cable protective sheathing (AISI 316)
- Water detector in motor and oil chamber



Connections

		Electrical cable size [mm ²]		motor protection and/or water detector		flameproof version	
voltage	current						
[V]*	[A]	direct start		direct start		direct start	
208	7.6	4G1.5		7G1.5		7G1.5	
230	6.9	4G1.5		7G1.5		7G1.5	
460	3.4	4G1.5		7G1.5		7G1.5	
575	2.8	4G1.5		7G1.5		7G1.5	
starting current DOL start : 4.3 x rated current							
* other voltages on request							

Pump type: Submersible cutter pump
 Application: Waste water, sewage

Pump data

Discharge diameter 40 mm
 Impeller type: Cutter
 Impeller diameter 117 mm
 Recommended min. flow 0.5 l/sec (2 m3/h)
 Weight 49 kg

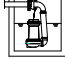
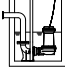

Motor

Mains: **60 Hz – 3 phase**
 Rated shaft power 3.0 kW
 Rated electrical power 4.0 kW
 Nominal speed 3360 rpm
 Motor efficiency 75 %
 Power factor (cos phi) 0.90
 Degree of protection IP 68
 Isolation class F (155°C)
 Max. water temperature 40°C
 Standard cable length 10 m

Materials

Pump casing Cast iron EN-GJL-250
 Impeller Cast iron EN-GJS-400-15
 Cutter Hardened chrome steel
 Motor unit Cast iron EN-GJL-250
 Shaft AISI 431
 Alt: AISI 316
 Bolts AISI 316
 Elastomers Nitrile (NBR) or Neoprene (CR)
 Alt: Viton (FPM)
 Electrical cable Neoprene (CR)
 Seal lubrication Oil
 Seal pump side Silicon carbide – Silicon carbide
 Seal motor side Carbon - Ceramic
 Coating Two components polyurethane

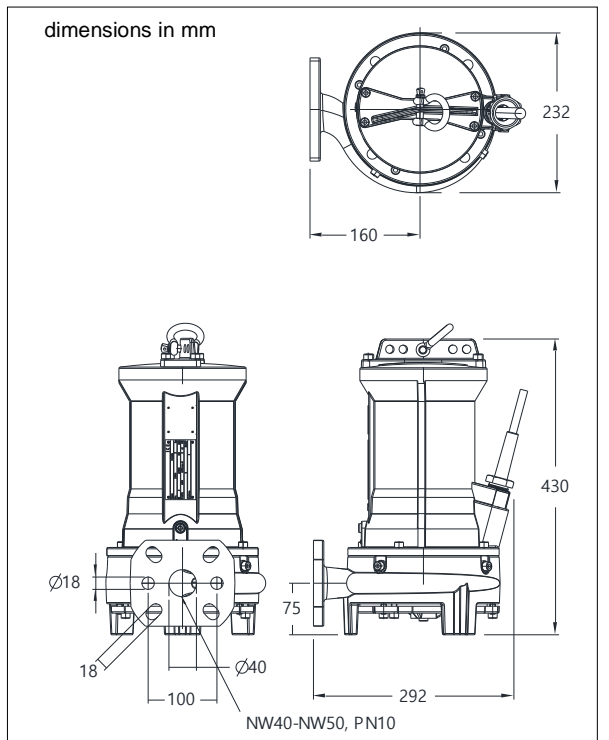
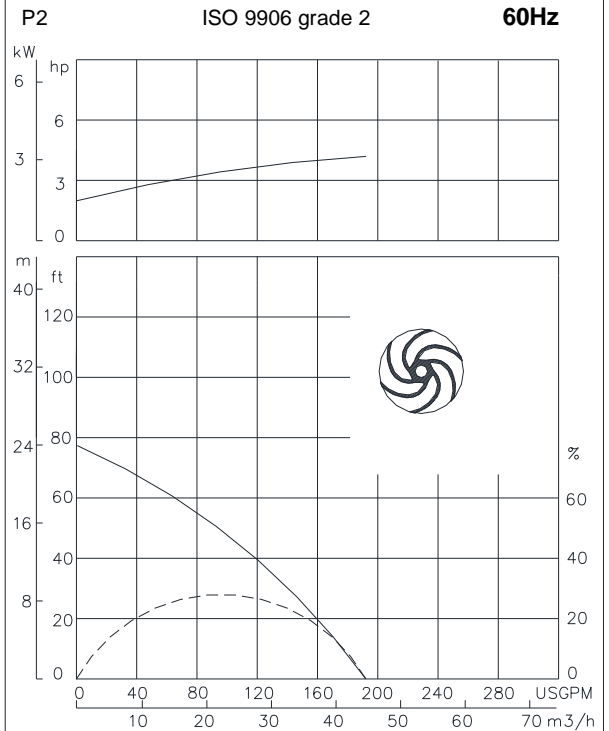
Installation options

Header coupling BWK 050 
 Guide bar coupling OWK 050 
 Freestanding (VRS) 50 mm or 75 mm hose connection or G 2" threaded connection 

Optional

- Flameproof version, to class: II 2 G Ex d IIB c T4
 Standard: II 2 G Ex b c d IIB T4 Gb
 With Frequency control: II 2 G Ex b c d IIB T3 Gb
- Thermo switches in stator windings (standard for flame proof version)
- Cable protective sheathing (AISI 316)
- Water detector in motor and oil chamber

4.4USGPM = 1m3/h, 1ft = 0.3m, 1hp = 0.746kW, 1lb = 0.45kg



Connections

voltage	current	Electrical cable size [mm ²]		motor protection and/or water detector		flameproof version	
		direct start	stardelta start	direct start	stardelta start	direct start	stardelta start
[V]*	[A]						
208	12.3	4G1.5	7G1.5	7G1.5	12G1.5	7G1.5	12G1.5
230	11.1	4G1.5	7G1.5	7G1.5	12G1.5	7G1.5	12G1.5
460	5.6	4G1.5	7G1.5	7G1.5	12G1.5	7G1.5	12G1.5
575	4.4	4G1.5	7G1.5	7G1.5	12G1.5	7G1.5	12G1.5
starting current DOL start : 4.6 x rated current							
starting current YD start : 1.5 x rated current						* other voltages on request	

Pump type: Submersible cutter pump
 Application: Waste water, sewage

Pump data

Discharge diameter 40 mm
 Impeller type: Cutter
 Impeller diameter 130 mm
 Recommended min. flow 0.5 l/sec (2 m3/h)
 Weight 55 kg

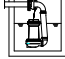
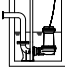

Motor

Mains: **60Hz** – 3 phase
 Rated shaft power 4.6 kW
 Rated electrical power 5.6 kW
 Nominal speed 3410 rpm
 Motor efficiency 82 %
 Power factor (cos phi) 0.85
 Degree of protection IP 68
 Isolation class F (155°C)
 Max. water temperature 40°C
 Standard cable length 10 m

Materials

Pump casing Cast iron EN-GJL-250
 Impeller Cast iron EN-GJS-400-15
 Cutter Hardened chrome steel
 Motor unit Cast iron EN-GJL-250
 Shaft AISI 431
 Alt: AISI 316
 Bolts AISI 316
 Elastomers Nitrile (NBR) or Neoprene (CR)
 Alt: Viton (FPM)
 Electrical cable Neoprene (CR)
 Seal lubrication Oil
 Seal pump side Silicon carbide – Silicon carbide
 Seal motor side Carbon - Ceramic
 Coating Two components polyurethane

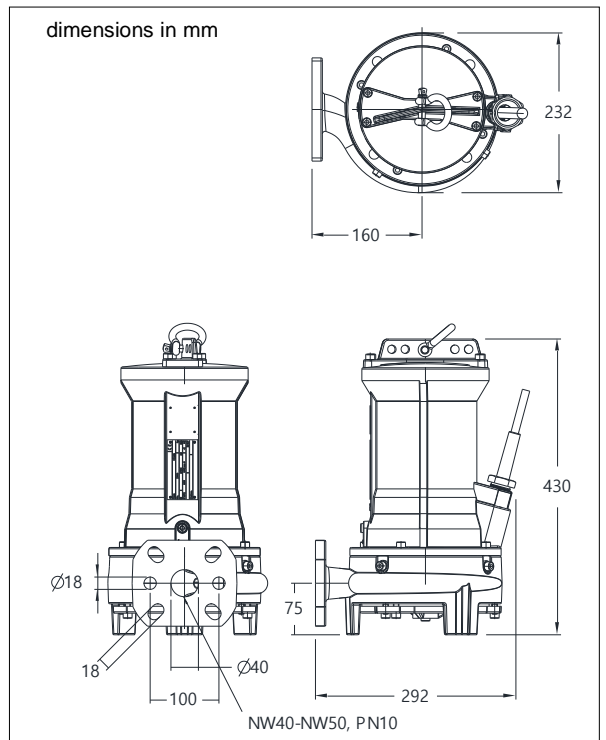
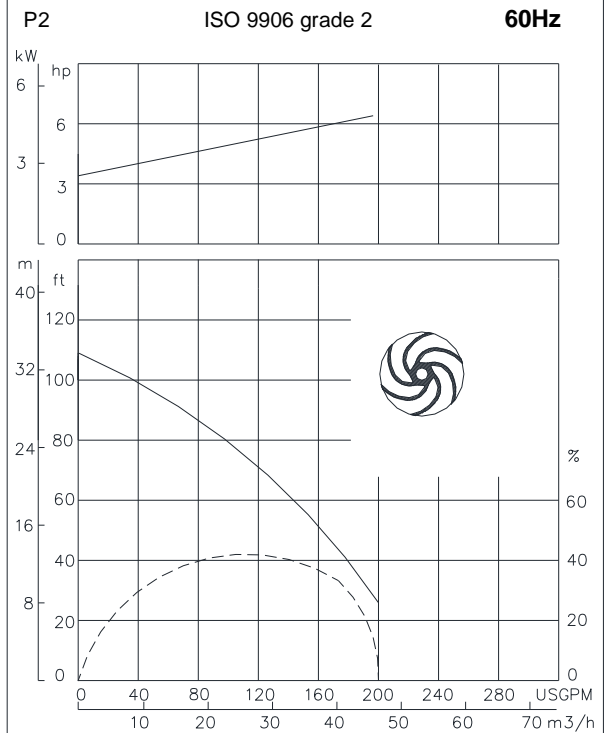
Installation options

Header coupling BWK 050 
 Guide bar coupling OWK 050 
 Freestanding (VRS) 50 mm or 75 mm hose connection or G 2" threaded connection 

Optional

- Flameproof version, to class: II 2 G Ex d IIB c T4
 Standard: II 2 G Ex b c d IIB T4 Gb
 With Frequency control: II 2 G Ex b c d IIB T3 Gb
- Thermo switches in stator windings (standard for flame proof version)
- Cable protective sheathing (AISI 316)
- Water detector in motor and oil chamber

4.4USGPM = 1m3/h, 1ft = 0.3m, 1hp = 0.746kW, 1lb = 0.45kg



Connections

voltage [V]*	current [A]	Electrical cable size [mm ²]		motor protection and/or water detector		flameproof version		
		direct start	stardelta start	direct start	stardelta start	direct start	stardelta start	
208	18.3	4G2.5	7G1.5	7G2.5	12G1.5	7G2.5	12G1.5	
230	16.6	4G2.5	7G1.5	7G2.5	12G1.5	7G2.5	12G1.5	
460	8.3	4G1.5	7G1.5	7G1.5	12G1.5	7G1.5	12G1.5	
575	6.6	4G1.5	7G1.5	7G1.5	12G1.5	7G1.5	12G1.5	
starting current DOL start : 6.2 x rated current								
starting current YD start : 2.1 x rated current								
							* other voltages on request	