

Pump type: Submersible cutter pump
 Application: Waste water, sewage

Pump data

Discharge diameter 1 5/8"
 Impeller type: Cutter
 Impeller diameter 106
 Recommended min. flow 24 USGPM
 Weight 122 lbs

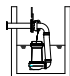
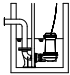

Motor

Mains: 60 c/s – 3 phase
 Rated horse power 2.3 HP
 Rated electrical power 2.5 kW
 Rated kVA 2.7 kVA
 Nominal speed 3350 rpm
 Motor efficiency 69 %
 Power factor (cos phi) 0.91
 Degree of protection IP 68
 Isolation class F (311°F)
 Max. water temperature 104°F
 Standard cable length 33 ft

Materials

Pump casing Cast iron (ASTM A-48 class 35)
 Impeller Cast iron (ASTM A-48 class 35)
 Cutter Hardened chrome steel
 Motor unit Cast iron (ASTM A-48 class 35)
 Shaft AISI 431
 Alt: AISI 316
 Bolts AISI 316
 Elastomers Nitrile (NBR) or neoprene (CR)
 Alt: viton (FPM)
 Neoprene (CR)
 Electrical cable Neoprene (CR)
 Seal lubrication Oil
 Seal pump side Silicon carbide – silicon carbide
 Seal motor side Carbon - Ceramic
 Coating Two components polyurethane

Installation options

Header coupling BWK 050 
 Guide bar coupling OWK 050 / 2 " 
 Freestanding 2 or 3" hose connection or 
 Including support 2" NPT threaded connection

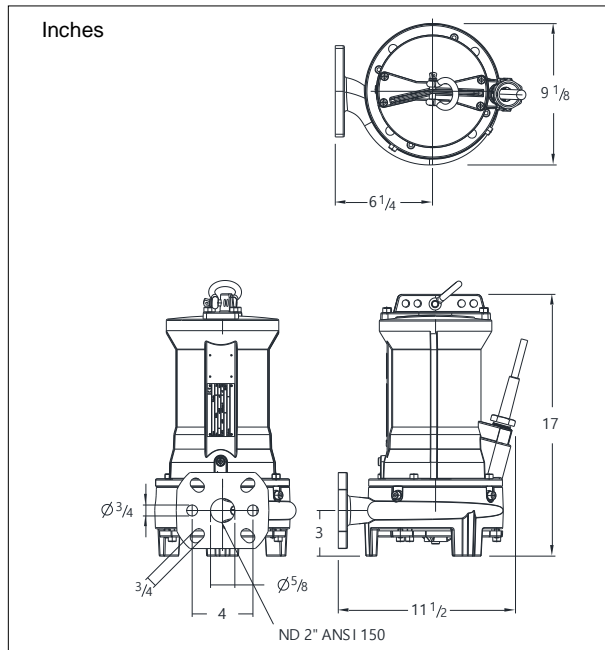
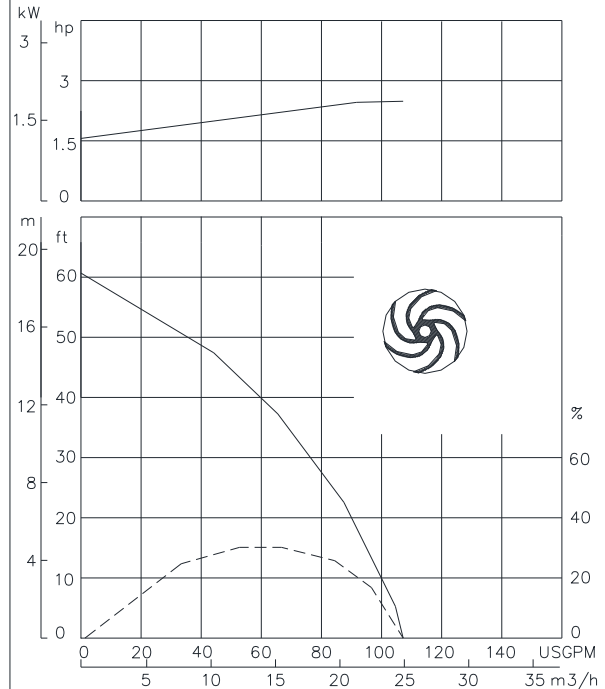
Options available

- Thermo switches in stator windings
- Cable protective sheathing (AISI 316)
- Water detector in motor and oil chamber

Connections

voltage	current	electrical cable size			
		direct start		with motor protection and/or water detector	
[V]*	[A]	direct start		direct start	
208	7.6	AWG 16/4		AWG 14/7	
230	6.9	AWG 16/4		AWG 14/7	
460	3.4	AWG 16/4		AWG 14/7	
575	2.8	AWG 16/4		AWG 14/7	
starting current DOL start : 4.3 x rated current					
					* other voltages on request

15.9 USGPM = 1l/s, 1ft = 0.3m, 1hp = 0.746kW, 1lb = 0.45kg
 ISO 9906 grade 2



Pump type: Submersible cutter pump
 Application: Waste water, sewage

Pump data

Discharge diameter 1 5/8"
 Impeller type: Cutter
 Impeller diameter 128
 Recommended min. flow 24 USGPM
 Weight 122 lbs

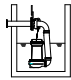
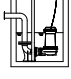

Motor

Mains: 60 c/s – 3 phase
 Rated horse power 4.0 HP
 Rated electrical power 4.0 kW
 Rated kVA 4.4 kVA
 Nominal speed 3360 rpm
 Motor efficiency 75 %
 Power factor (cos phi) 0.90
 Degree of protection IP 68
 Isolation class F (311°F)
 Max. water temperature 104°F
 Standard cable length 33 ft

Materials

Pump casing Cast iron (ASTM A-48 class 35)
 Impeller Cast iron (ASTM A-48 class 35)
 Cutter Hardened chrome steel
 Motor unit Cast iron (ASTM A-48 class 35)
 Shaft AISI 431
 Alt: AISI 316
 Bolts AISI 316
 Elastomers Nitrile (NBR) or neoprene (CR)
 Alt: viton (FPM)
 Neoprene (CR)
 Electrical cable Oil
 Seal lubrication Silicon carbide – silicon carbide
 Seal pump side Carbon - Ceramic
 Seal motor side Two components polyurethane
 Coating

Installation options

Header coupling BWK 050 
 Guide bar coupling OWK 050 / 2" 
 Freestanding 2 or 3" hose connection or 
 Including support 2" NPT threaded connection

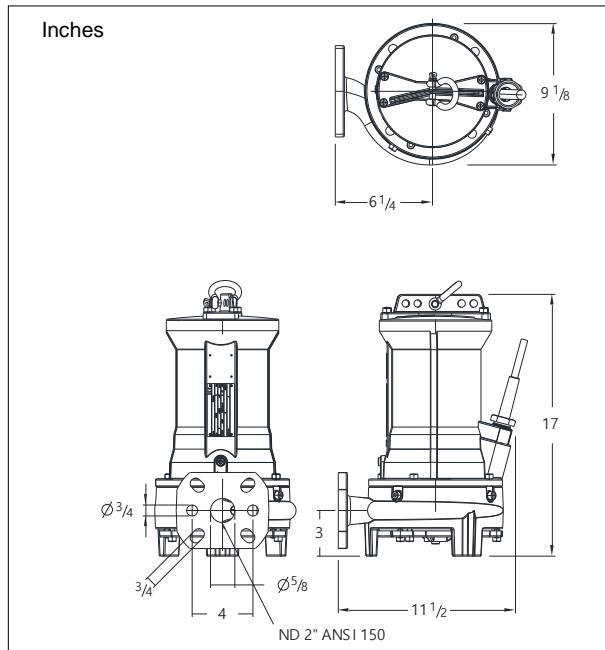
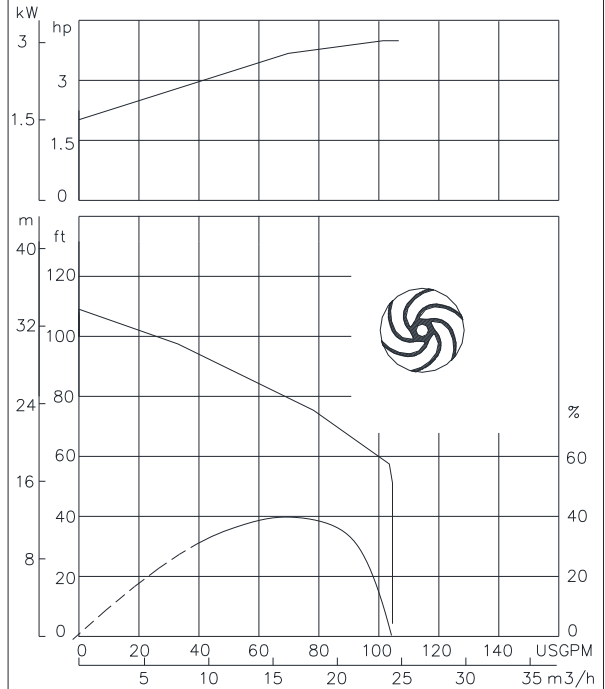
Options available

- Thermo switches in stator windings
- Cable protective sheathing (AISI 316)
- Water detector in motor and oil chamber

Connections

voltage	current	electrical cable size		with motor protection and/or water detector	
		direct start	star delta start	direct start	star delta start
208	12.3	AWG 14/4	AWG 14/7	AWG 14/7	-
230	11.1	AWG 14/4	AWG 14/7	AWG 14/7	-
460	5.6	AWG 16/4	AWG 14/7	AWG 14/7	-
575	4.4	AWG 16/4	AWG 14/7	AWG 14/7	-
starting current DOL start : 4.6 x rated current					
starting current YD start : 1.5 x rated current				* other voltages on request	

15.9 USGPM = 1l/s, 1ft = 0.3m, 1hp = 0.746kW, 1lb = 0.45kg
 ISO 9906 grade 2



Pump type: Submersible cutter pump
 Application: Waste water, sewage

Pump data

Discharge diameter: 1 5/8"
 Impeller type: Cutter
 Impeller diameter: 150
 Recommended min. flow: 24 USGPM
 Weight: 122 lbs

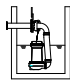
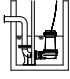

Motor

Mains: 60 c/s – 3 phase
 Rated horse power: 6.2 HP
 Rated electrical power: 5.6 kW
 Rated kVA: 6.6 kVA
 Nominal speed: 3410 rpm
 Motor efficiency: 82 %
 Power factor (cos phi): 0.85
 Degree of protection: IP 68
 Isolation class: F (311°F)
 Max. water temperature: 104°F
 Standard cable length: 33 ft

Materials

Pump casing: Cast iron (ASTM A-48 class 35)
 Impeller: Cast iron (ASTM A-48 class 35)
 Cutter: Hardened chrome steel
 Motor unit: Cast iron (ASTM A-48 class 35)
 Shaft: AISI 431
 Bolts: Alt: AISI 316
 Elastomers: Nitrile (NBR) or neoprene (CR)
 Electrical cable: Alt: viton (FPM)
 Seal lubrication: Neoprene (CR)
 Seal pump side: Oil
 Seal motor side: Silicon carbide – silicon carbide
 Coating: Carbon - Ceramic
 Two components polyurethane

Installation options

Header coupling: BWK 050 
 Guide bar coupling: OWK 050 / 2" 
 Freestanding: 2 or 3" hose connection or 2" NPT threaded connection 

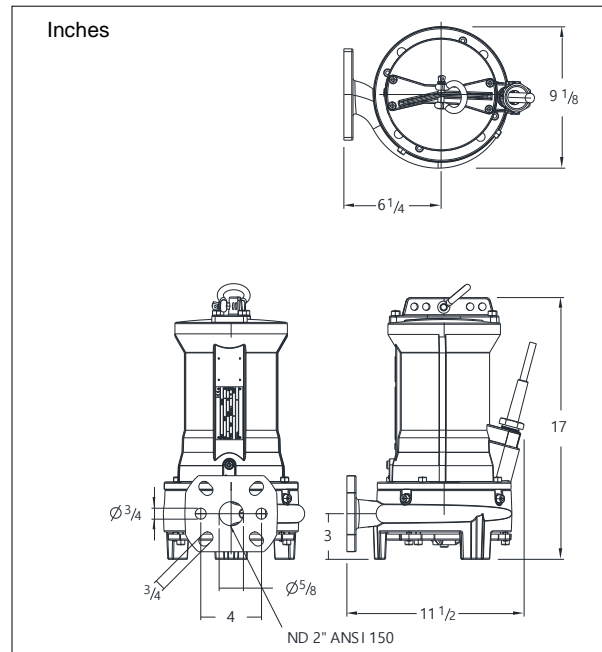
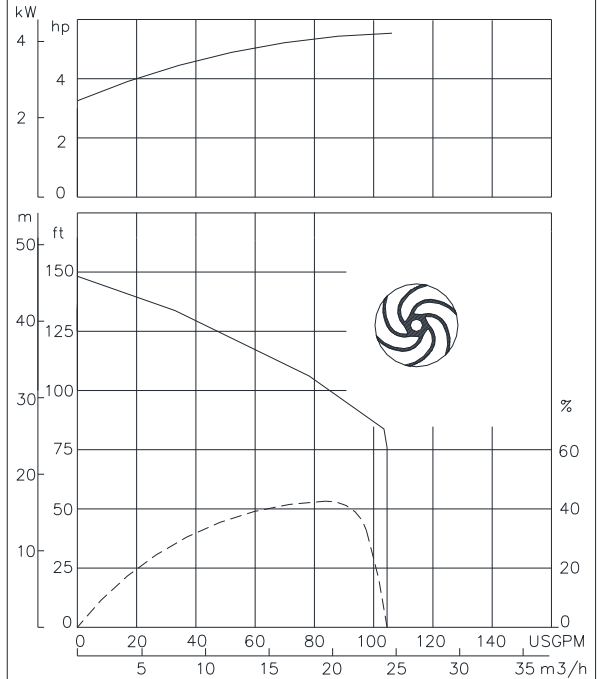
Options available

- Thermo switches in stator windings
- Cable protective sheathing (AISI 316)
- Water detector in motor and oil chamber

Connections

voltage	current	electrical cable size		with motor protection and/or water detector	
		direct start	star delta start	direct start	star delta start
208	18.3	AWG 10/4	AWG 14/7	-	-
230	16.6	AWG 10/4	AWG 14/7	-	-
460	8.3	AWG 16/4	AWG 14/7	AWG 14/7	-
575	6.6	AWG 16/4	AWG 14/7	AWG 14/7	-
starting current DOL start : 6.2 x rated current					
starting current YD start : 2.1 x rated current				* other voltages on request	

15.9 USGPM = 1l/s, 1ft = 0.3m, 1hp = 0.746kW, 1lb = 0.45kg
 ISO 9906 grade 2



Pump type: Submersible cutter pump
 Application: Waste water, sewage

Pump data

Discharge diameter 1 5/8"
 Impeller type: Cutter
 Impeller diameter 96
 Recommended min. flow 24 USGPM
 Weight 122 lbs

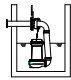
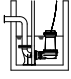

Motor

Mains: 60 c/s – 3 phase
 Rated horse power 2.3 HP
 Rated electrical power 2.5 kW
 Rated kVA 2.7 kVA
 Nominal speed 3350 rpm
 Motor efficiency 69 %
 Power factor (cos phi) 0.91
 Degree of protection IP 68
 Isolation class F (311°F)
 Max. water temperature 104°F
 Standard cable length 33 ft

Materials

Pump casing Cast iron (ASTM A-48 class 35)
 Impeller Cast iron (ASTM A-48 class 35)
 Cutter Hardened chrome steel
 Motor unit Cast iron (ASTM A-48 class 35)
 Shaft AISI 431
 Bolts Alt: AISI 316
 Elastomers AISI 316
 Nitrile (NBR) or neoprene (CR)
 Alt: viton (FPM)
 Neoprene (CR)
 Electrical cable Oil
 Seal lubrication Silicon carbide – silicon carbide
 Seal pump side Carbon - Ceramic
 Seal motor side Two components polyurethane
 Coating

Installation options

Header coupling BWK 050 
 Guide bar coupling OWK 050 / 2" 
 Freestanding 2 or 3" hose connection or 
 Including support 2" NPT threaded connection

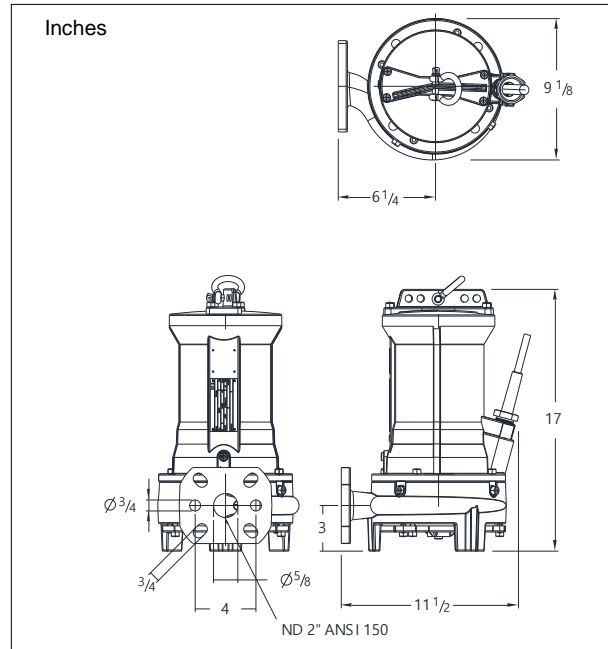
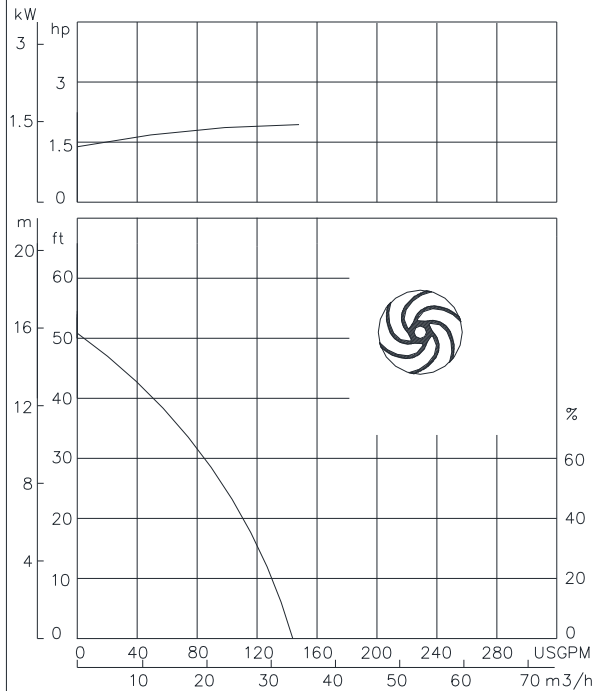
Options available

- Thermo switches in stator windings
- Cable protective sheathing (AISI 316)
- Water detector in motor and oil chamber

Connections

voltage	current	electrical cable size	
		with motor protection and/or water detector	
[V]*	[A]	direct start	direct start
208	7.6	AWG 16/4	AWG 14/7
230	6.9	AWG 16/4	AWG 14/7
460	3.4	AWG 16/4	AWG 14/7
575	2.8	AWG 16/4	AWG 14/7
starting current DOL start : 4.3 x rated current			
			* other voltages on request

15.9 USGPM = 1l/s, 1ft = 0.3m, 1hp = 0.746kW, 1lb = 0.45kg
 ISO 9906 grade 2



Pump type: Submersible cutter pump
 Application: Waste water, sewage

Pump data

Discharge diameter 1 5/8"
 Impeller type: Cutter
 Impeller diameter 117
 Recommended min. flow 24 USGPM
 Weight 122 lbs

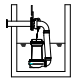
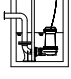

Motor

Mains: 60 c/s – 3 phase
 Rated horse power 4.0 HP
 Rated electrical power 4.0 kW
 Rated kVA 4.4 kVA
 Nominal speed 3360 rpm
 Motor efficiency 75 %
 Power factor (cos phi) 0.90
 Degree of protection IP 68
 Isolation class F (311°F)
 Max. water temperature 104°F
 Standard cable length 33 ft

Materials

Pump casing Cast iron (ASTM A-48 class 35)
 Impeller Cast iron (ASTM A-48 class 35)
 Cutter Hardened chrome steel
 Motor unit Cast iron (ASTM A-48 class 35)
 Shaft AISI 431
 Alt: AISI 316
 Bolts AISI 316
 Elastomers Nitrile (NBR) or neoprene (CR)
 Alt: viton (FPM)
 Neoprene (CR)
 Electrical cable Neoprene (CR)
 Seal lubrication Oil
 Seal pump side Silicon carbide – silicon carbide
 Seal motor side Carbon - Ceramic
 Coating Two components polyurethane

Installation options

Header coupling BWK 050 
 Guide bar coupling OWK 050 / 2" 
 Freestanding 2 or 3" hose connection or 
 Including support 2" NPT threaded connection

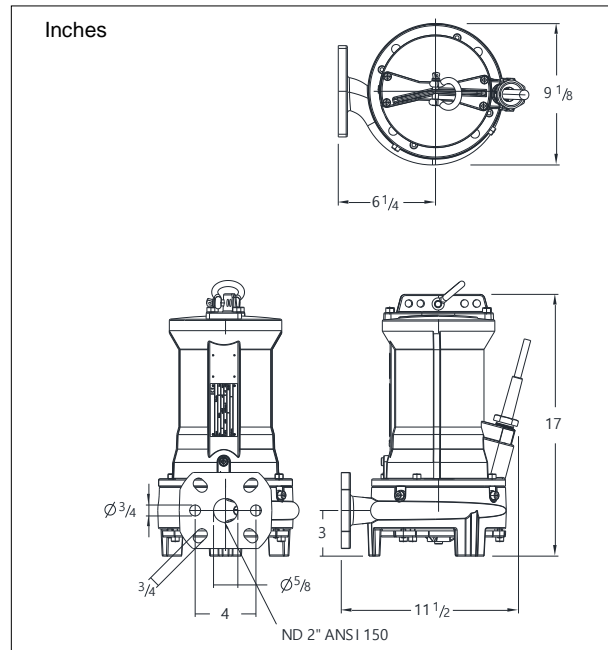
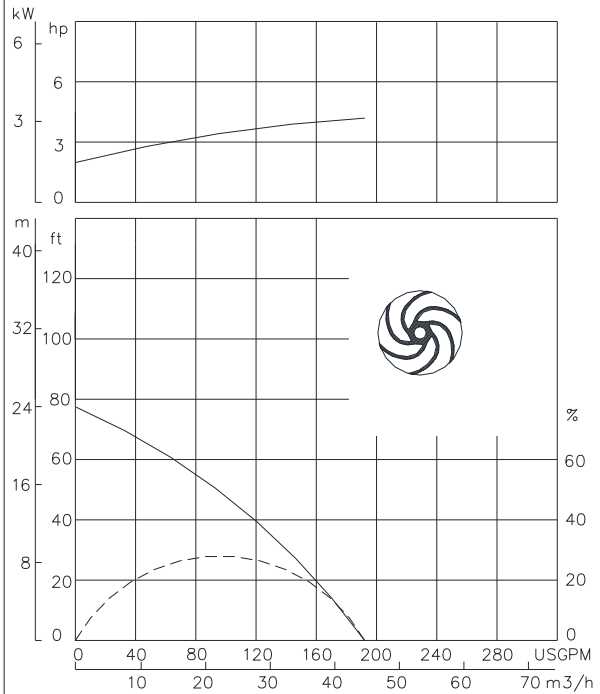
Options available

- Thermo switches in stator windings
- Cable protective sheathing (AISI 316)
- Water detector in motor and oil chamber

Connections

voltage	current	electrical cable size		with motor protection and/or water detector	
		direct start	star delta start	direct start	star delta start
208	12.3	AWG 14/4	AWG 14/7	AWG 14/7	-
230	11.1	AWG 14/4	AWG 14/7	AWG 14/7	-
460	5.6	AWG 16/4	AWG 14/7	AWG 14/7	-
575	4.4	AWG 16/4	AWG 14/7	AWG 14/7	-
starting current DOL start : 4.6 x rated current					
starting current YD start : 1.5 x rated current				* other voltages on request	

15.9 USGPM = 1l/s, 1ft = 0.3m, 1hp = 0.746kW, 1lb = 0.45kg
 ISO 9906 grade 2



Pump type: Submersible cutter pump
 Application: Waste water, sewage

Pump data

Discharge diameter 1 5/8"
 Impeller type: Cutter
 Impeller diameter 130
 Recommended min. flow 24 USGPM
 Weight 122 lbs

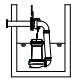
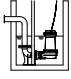

Motor

Mains: 60 c/s – 3 phase
 Rated horse power 6.2 HP
 Rated electrical power 5.6 kW
 Rated kVA 6.6 kVA
 Nominal speed 3410 rpm
 Motor efficiency 82 %
 Power factor (cos phi) 0.85
 Degree of protection IP 68
 Isolation class F (311°F)
 Max. water temperature 104°F
 Standard cable length 33 ft

Materials

Pump casing Cast iron (ASTM A-48 class 35)
 Impeller Cast iron (ASTM A-48 class 35)
 Cutter Hardened chrome steel
 Motor unit Cast iron (ASTM A-48 class 35)
 Shaft AISI 431
 Alt: AISI 316
 Bolts AISI 316
 Elastomers Nitrile (NBR) or neoprene (CR)
 Alt: viton (FPM)
 Electrical cable Neoprene (CR)
 Seal lubrication Oil
 Seal pump side Silicon carbide – silicon carbide
 Seal motor side Carbon - Ceramic
 Coating Two components polyurethane

Installation options

Header coupling BWK 050 
 Guide bar coupling OWK 050 - 2" 
 Freestanding 2 or 3" hose connection or
 Including support 2" NPT threaded connection 

Options available

- Thermo switches in stator windings
- Cable protective sheathing (AISI 316)
- Water detector in motor and oil chamber

Connections

voltage	current	electrical cable size		with motor protection and/or water detector	
		direct start	star delta start	direct start	star delta start
208	18.3	AWG 10/4	AWG 14/7	-	-
230	16.6	AWG 10/4	AWG 14/7	-	-
460	8.3	AWG 16/4	AWG 14/7	AWG 14/7	-
575	6.6	AWG 16/4	AWG 14/7	AWG 14/7	-
starting current DOL start : 6.2 x rated current					
starting current YD start : 2.1 x rated current				* other voltages on request	

