

Pump type: Submersible pump
 Application: Waste water

Pump data

Solids passage 30 mm
 Discharge NW50/65, PN10
 Suction 50 mm
 Impeller type: open single channel
 Impeller diameter 107 mm
 Recommended min. flow 2 l/sec (8 m3/h)
 Weight 41 kg

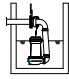
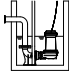
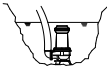
Motor

Mains: 50 c/s – 3 phase
 Rated shaft power 1.5 kW
 Rated electrical power 2.1 kW
 Nominal speed 2790 rpm
 Motor efficiency 71 %
 Power factor (cos phi) 0.91
 Degree of protection IP 68
 Isolation class F (155°C)
 Max. water temperature 40°C
 Standard cable length 10 m

Materials

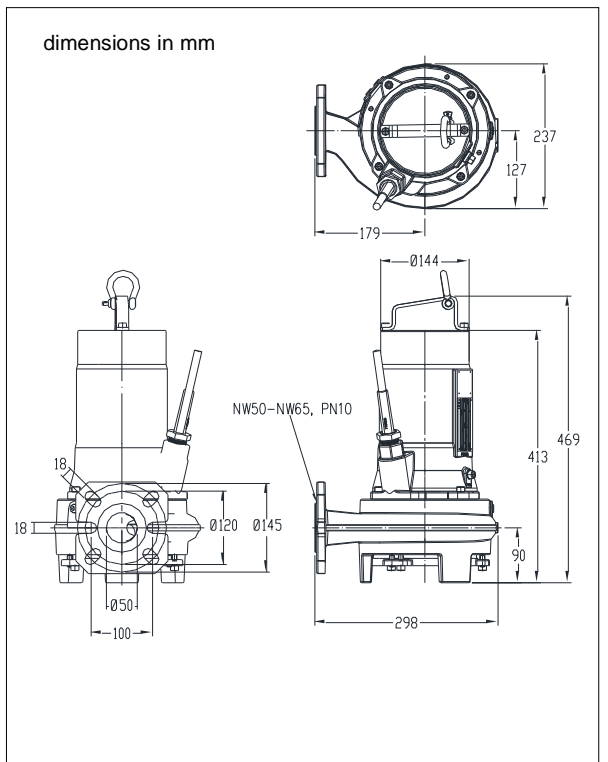
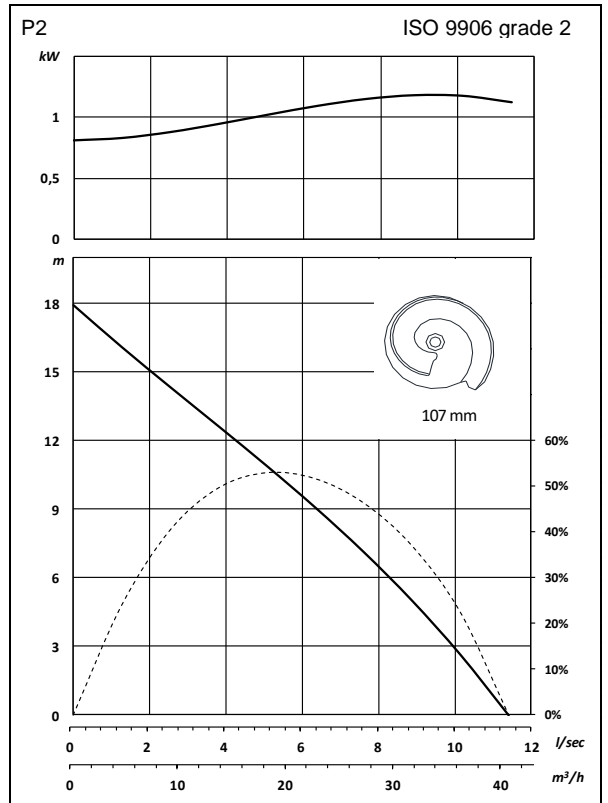
Pump casing Cast iron GG 25 (EN-GJL-250)
 Impeller Sg Cast iron GN 40 (EN-GJS-400-15)
 Motor unit Cast iron GG 25 (EN-GJL-250)
 Shaft AISI 431
 Alt: AISI 316
 Bolts AISI 316
 Elastomers Nitrile (NBR) or neoprene (CR)
 Alt: viton (FPM)
 Electrical cable Neoprene (CR)
 Seal lubrication Oil
 Seal pump side Silicon carbide – silicon carbide
 Seal motor side Carbon - Ceramic
 Coating Two components polyurethane

Installation options

Header coupling BWK 050 or BWK065 or BWK 080 
 Guide bar coupling OWK 050 or OWK065-N 
 Freestanding 50 mm or 75 mm hose connection or G 2" threaded connection 

Optional

- Thermo switches in stator windings
- Cable protective sheathing (AISI 316)
- Water detector in motor and oil chamber



Connections

voltage	current	Electrical cable size [mm2]		motor protection and/or water detector	
		direct start		direct start	
230	5.8	4G1.5		7G1.5	
400	3.3	4G1.5		7G1.5	
500	2.7	4G1.5		7G1.5	
starting current DOL start : 4.8 x rated current					
* other voltages on request					

Pump type: Submersible pump
 Application: Waste water

Pump data

Solids passage 30 mm
 Discharge NW50/65, PN10
 Suction 50 mm
 Impeller type: open single channel
 Impeller diameter 118 mm
 Recommended min. flow 2 l/sec (8 m3/h)
 Weight 43 kg

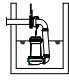
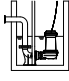
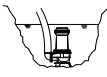
Motor

Mains: 50 c/s – 3 phase
 Rated shaft power 2.2 kW
 Rated electrical power 2.8 kW
 Nominal speed 2830 rpm
 Motor efficiency 79 %
 Power factor (cos phi) 0.98
 Degree of protection IP 68
 Isolation class F (155°C)
 Max. water temperature 40°C
 Standard cable length 10 m

Materials

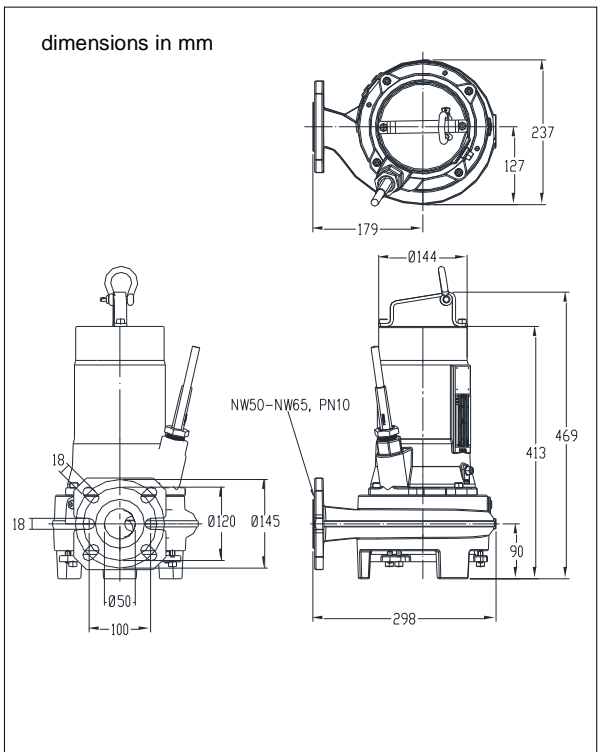
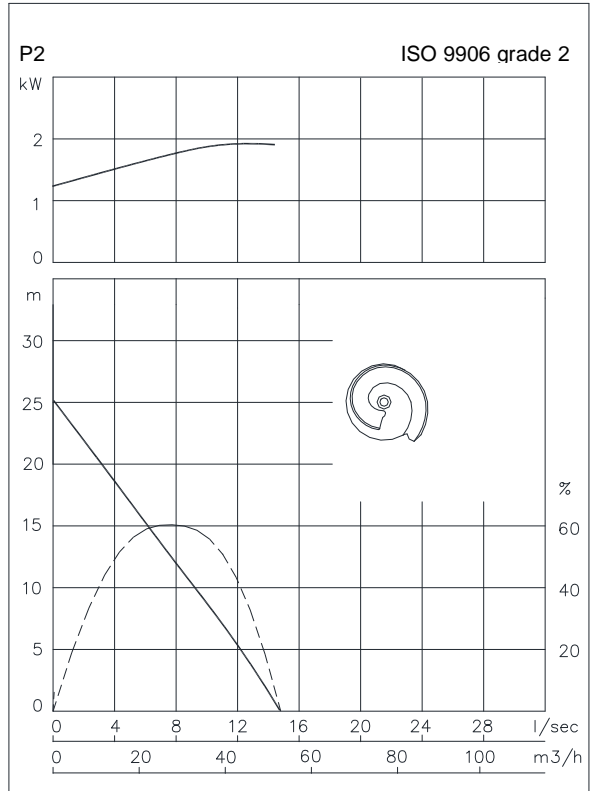
Pump casing Cast iron GG 25 (EN-GJL-250)
 Impeller Sg Cast iron GN 40 (EN-GJS-400-15)
 Motor unit Cast iron GG 25 (EN-GJL-250)
 Shaft AISI 431
 Alt: AISI 316
 Bolts AISI 316
 Elastomers Nitrile (NBR) or neoprene (CR)
 Alt: viton (FPM)
 Electrical cable Neoprene (CR)
 Seal lubrication Oil
 Seal pump side Silicon carbide – silicon carbide
 Seal motor side Carbon - Ceramic
 Coating Two components polyurethane

Installation options

Header coupling BWK 050 or BWK065 or BWK 080 
 Guide bar coupling OWK 050 or OWK065-N 
 Freestanding 50 mm or 75 mm hose connection or G 2" threaded connection 

Optional

- Thermo switches in stator windings
- Cable protective sheathing (AISI 316)
- Water detector in motor and oil chamber



Connections

		Electrical cable size [mm ²]		motor protection and/or water detector	
voltage	current				
[V]*	[A]	direct start		direct start	
230	7.9	4G1.5		7G1.5	
400	4.5	4G1.5		7G1.5	
500	3.6	4G1.5		7G1.5	
starting current DOL start : 5.3 x rated current					
* other voltages on request					

Pump type: Submersible pump
 Application: Waste water

Pump data

Solids passage 30 mm
 Discharge NW50/65, PN10
 Suction 50 mm
 Impeller type: open single channel
 Impeller diameter 118 mm
 Recommended min. flow 2 l/sec (8 m3/h)
 Weight 43 kg

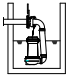
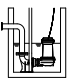

Motor

Mains: 50 c/s – 3 phase
 Rated shaft power 2.2 kW
 Rated electrical power 2.8 kW
 Nominal speed 2830 rpm
 Motor efficiency 79 %
 Power factor (cos phi) 0.98
 Degree of protection IP 68
 Isolation class F (155°C)
 Max. water temperature 40°C
 Standard cable length 10 m

Materials

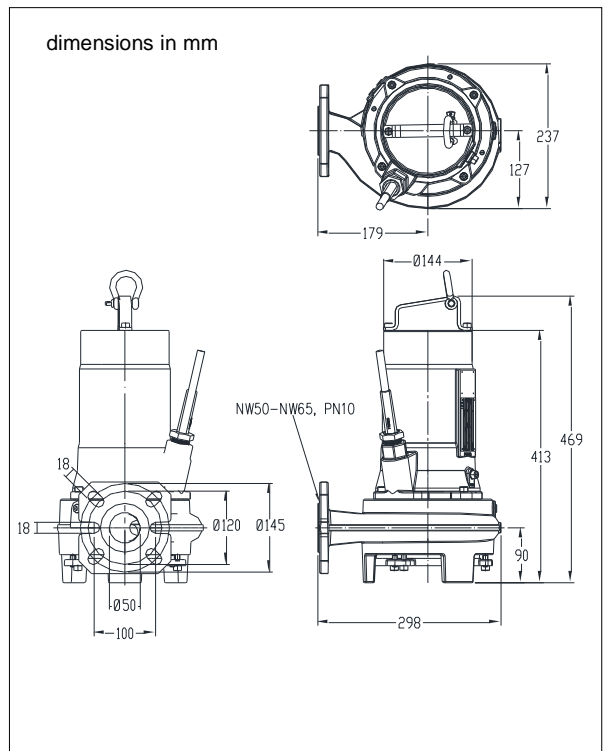
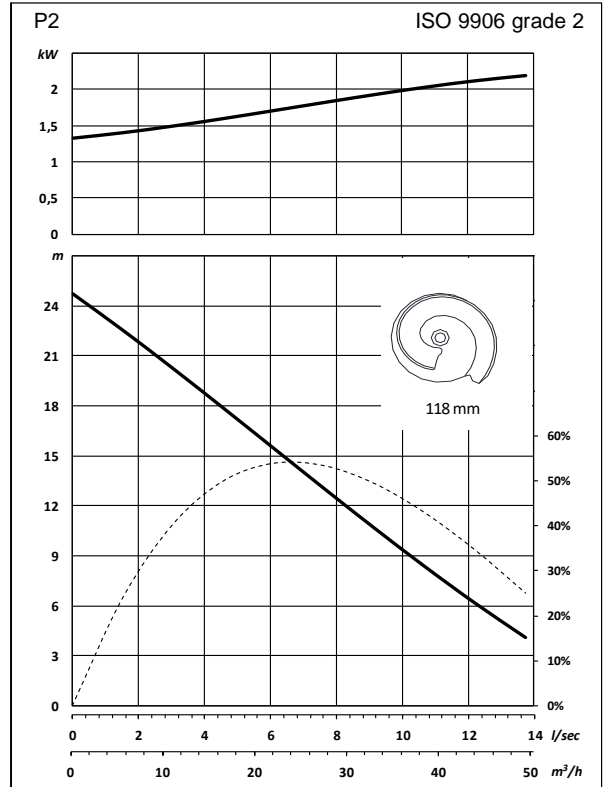
Pump casing Cast iron GG 25 (EN-GJL-250)
 Impeller Sg Cast iron GN 40 (EN-GJS-400-15)
 Motor unit Cast iron GG 25 (EN-GJL-250)
 Shaft AISI 431
 Alt: AISI 316
 Bolts AISI 316
 Elastomers Nitrile (NBR) or neoprene (CR)
 Alt: viton (FPM)
 Electrical cable Neoprene (CR)
 Seal lubrication Oil
 Seal pump side Silicon carbide – silicon carbide
 Seal motor side Carbon - Ceramic
 Coating Two components polyurethane

Installation options

Header coupling BWK 050 or BWK065 or BWK 080 
 Guide bar coupling OWK 050 or OWK065-N 
 Freestanding 50 mm or 75 mm hose connection or G 2" threaded connection 

Optional

- Thermo switches in stator windings
- Cable protective sheathing (AISI 316)
- Water detector in motor and oil chamber



Connections

		Electrical cable size [mm ²]		motor protection and/or water detector	
voltage	current	direct start		direct start	
[V]*	[A]				
230	7.9	4G1.5		7G1.5	
400	4.5	4G1.5		7G1.5	
500	3.6	4G1.5		7G1.5	
starting current DOL start : 5.3 x rated current					
* other voltages on request					

Pump type: Submersible pump
 Application: Waste water

Pump data

Solids passage 30 mm
 Discharge NW50/65, PN10
 Suction 50 mm
 Impeller type: open single channel
 Impeller diameter 127 mm
 Recommended min. flow 2 l/sec (8 m3/h)
 Weight 43 kg

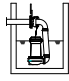
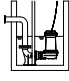
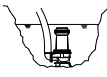
Motor

Mains: 50 c/s – 3 phase
 Rated shaft power 2.6 kW
 Rated electrical power 3.5 kW
 Nominal speed 2800 rpm
 Motor efficiency 74 %
 Power factor (cos phi) 0.91
 Degree of protection IP 68
 Isolation class F (155°C)
 Max. water temperature 40°C
 Standard cable length 10 m

Materials

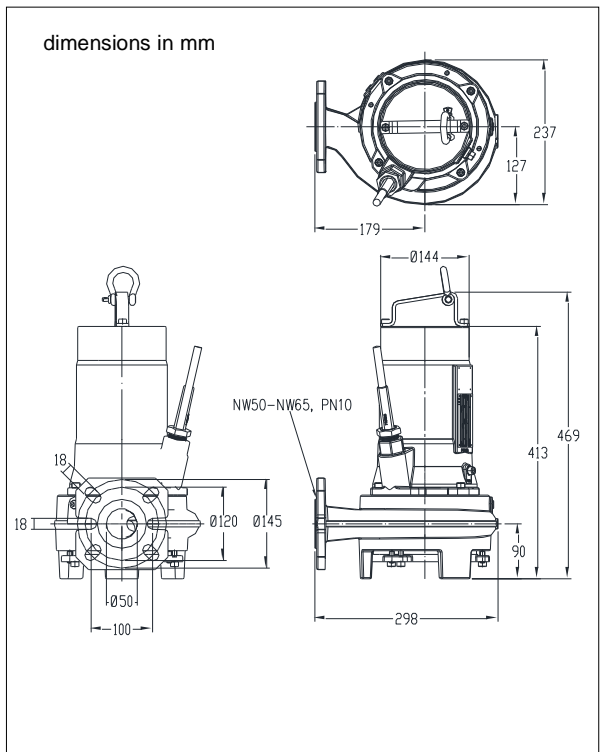
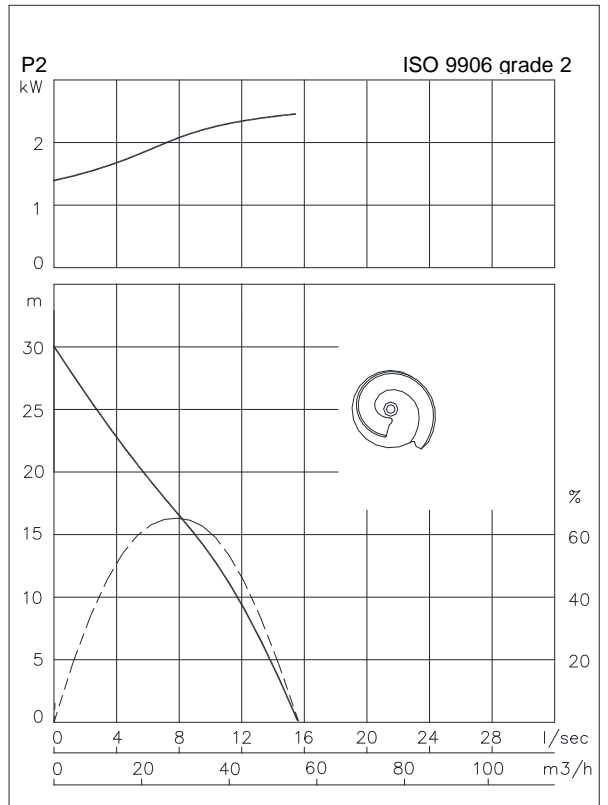
Pump casing Cast iron GG 25 (EN-GJL-250)
 Impeller Sg Cast iron GN 40 (EN-GJS-400-15)
 Motor unit Cast iron GG 25 (EN-GJL-250)
 Shaft AISI 431
 Alt: AISI 316
 Bolts AISI 316
 Elastomers Nitrile (NBR) or neoprene (CR)
 Alt: viton (FPM)
 Electrical cable Neoprene (CR)
 Seal lubrication Oil
 Seal pump side Silicon carbide – silicon carbide
 Seal motor side Carbon - Ceramic
 Coating Two components polyurethane

Installation options

Header coupling BWK 050 or BWK065 or BWK 080 
 Guide bar coupling OWK 050 or OWK065-N 
 Freestanding 50 mm or 75 mm hose connection or G 2" threaded connection 

Optional

- Thermo switches in stator windings
- Cable protective sheathing (AISI 316)
- Water detector in motor and oil chamber



Connections

voltage	current	Electrical cable size [mm2]		motor protection and/or water detector	
		direct start		direct start	
230	9.7	4G1.5		7G1.5	
400	5.6	4G1.5		7G1.5	
500	4.5	4G1.5		7G1.5	
starting current DOL start : 4.6 x rated current					
* other voltages on request					