

Pump type: Submersible pump  
 Application: Waste water

**Pump data**

Solids passage 30 mm  
 Discharge NW50/65, PN10  
 Suction 50 mm  
 Impeller type: open single channel  
 Impeller diameter 118 mm  
 Recommended min. flow 2 l/sec (8 m3/h)  
 Weight 43 kg

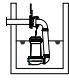
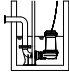
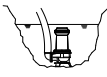
**Motor**

Mains: 50 c/s – 3 phase  
 Rated shaft power 2.2 kW  
 Rated electrical power 2.8 kW  
 Nominal speed 2830 rpm  
 Motor efficiency 79 %  
 Power factor (cos phi) 0.98  
 Degree of protection IP 68  
 Isolation class F (155°C)  
 Max. water temperature 40°C  
 Standard cable length 10 m

**Materials**

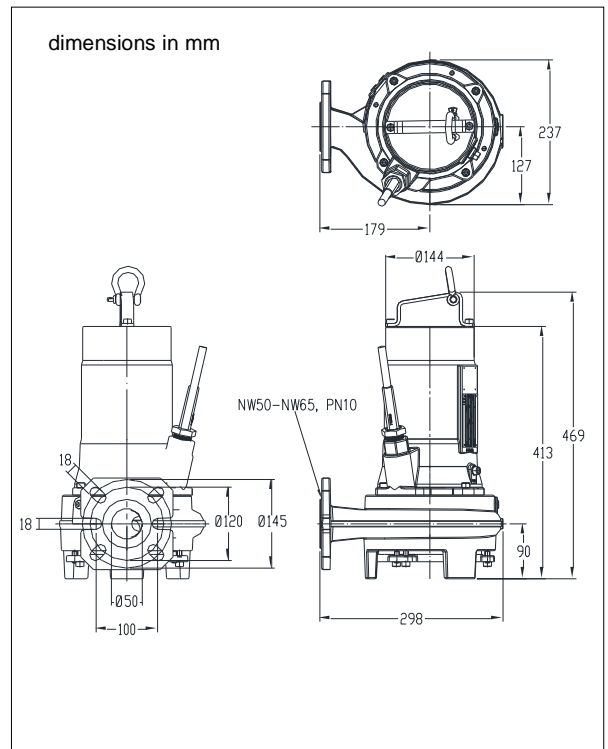
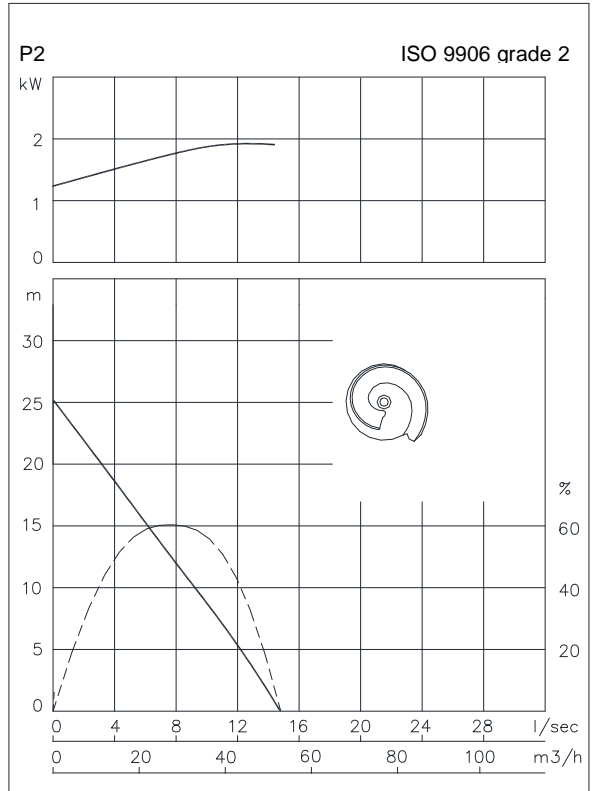
Pump casing Cast iron GG 25 (EN-GJL-250)  
 Impeller Sg Cast iron GN 40 (EN-GJS-400-15)  
 Motor unit Cast iron GG 25 (EN-GJL-250)  
 Shaft AISI 431  
 Alt: AISI 316  
 Bolts AISI 316  
 Elastomers Nitrile (NBR) or neoprene (CR)  
 Alt: viton (FPM)  
 Electrical cable Neoprene (CR)  
 Seal lubrication Oil  
 Seal pump side Silicon carbide – silicon carbide  
 Seal motor side Carbon - Ceramic  
 Coating Two components polyurethane

**Installation options**

Header coupling BWK 050 or BWK065 or BWK 080   
 Guide bar coupling OWK 050 or OWK065-N   
 Freestanding 50 mm or 75 mm hose connection or G 2" threaded connection 

**Optional**

- Thermo switches in stator windings
- Cable protective sheathing (AISI 316)
- Water detector in motor and oil chamber



**Connections**

voltage	current	Electrical cable size [mm <sup>2</sup> ]		motor protection and/or water detector	
		direct start		direct start	
230	7.9	4G1.5		7G1.5	
400	4.5	4G1.5		7G1.5	
500	3.6	4G1.5		7G1.5	
starting current DOL start : 5.3 x rated current					
* other voltages on request					

Pump type: Submersible pump  
 Application: Waste water

**Pump data**

Solids passage: 30 mm  
 Discharge: NW50/65, PN10  
 Suction: 50 mm  
 Impeller type: open single channel  
 Impeller diameter: 127 mm  
 Recommended min. flow: 2 l/sec (8 m3/h)  
 Weight: 43 kg

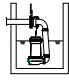
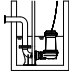
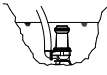
**Motor**

Mains: 50 c/s – 3 phase  
 Rated shaft power: 2.6 kW  
 Rated electrical power: 3.5 kW  
 Nominal speed: 2800 rpm  
 Motor efficiency: 74 %  
 Power factor (cos phi): 0.91  
 Degree of protection: IP 68  
 Isolation class: F (155°C)  
 Max. water temperature: 40°C  
 Standard cable length: 10 m

**Materials**

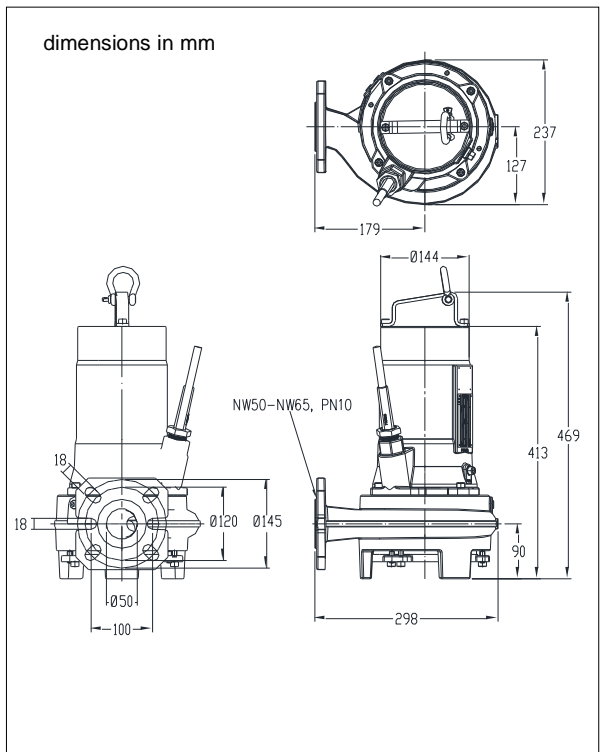
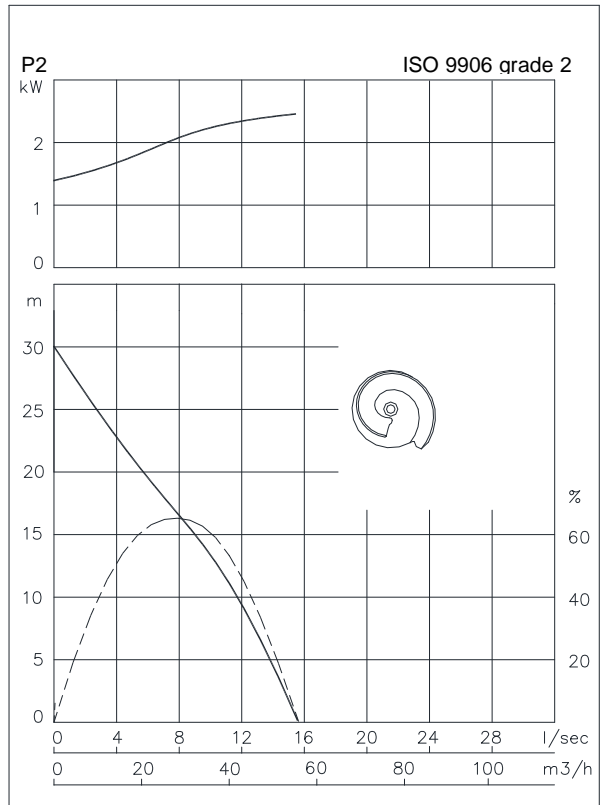
Pump casing: Cast iron GG 25 (EN-GJL-250)  
 Impeller: Sg Cast iron GN 40 (EN-GJS-400-15)  
 Motor unit: Cast iron GG 25 (EN-GJL-250)  
 Shaft: AISI 431  
 Bolts: Alt: AISI 316  
 Elastomers: AISI 316  
 Nitrile (NBR) or neoprene (CR)  
 Alt: viton (FPM)  
 Electrical cable: Neoprene (CR)  
 Seal lubrication: Oil  
 Seal pump side: Silicon carbide – silicon carbide  
 Seal motor side: Carbon - Ceramic  
 Coating: Two components polyurethane

**Installation options**

Header coupling: BWK 050 or BWK065 or BWK 080   
 Guide bar coupling: OWK 050 or OWK065-N   
 Freestanding: 50 mm or 75 mm hose connection or G 2" threaded connection 

**Optional**

- Thermo switches in stator windings
- Cable protective sheathing (AISI 316)
- Water detector in motor and oil chamber



**Connections**

voltage	current	Electrical cable size [mm2]		motor protection and/or water detector	
		direct start		direct start	
230	9.7	4G1.5		7G1.5	
400	5.6	4G1.5		7G1.5	
500	4.5	4G1.5		7G1.5	
starting current DOL start : 4.6 x rated current					
* other voltages on request					

Pump type: Submersible pump  
 Application: Waste water

**Pump data**

Solids passage 30 mm  
 Discharge NW50/65, PN10  
 Suction 50 mm  
 Impeller type: open single channel  
 Impeller diameter 118 mm  
 Recommended min. flow 2 l/sec (8 m3/h)  
 Weight 43 kg

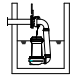
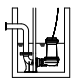
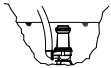
**Motor**

Mains: 50 c/s – 3 phase  
 Rated shaft power 2.2 kW  
 Rated electrical power 2.8 kW  
 Nominal speed 2830 rpm  
 Motor efficiency 79 %  
 Power factor (cos phi) 0.98  
 Degree of protection IP 68  
 Isolation class F (155°C)  
 Max. water temperature 40°C  
 Standard cable length 10 m

**Materials**

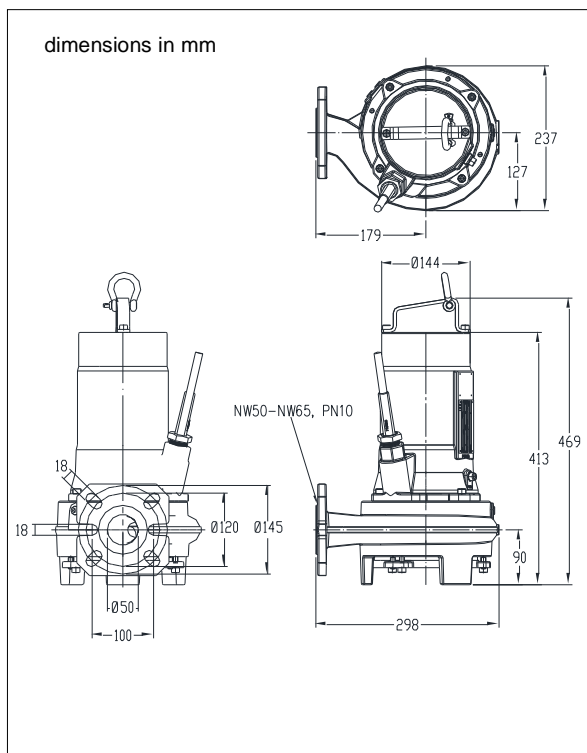
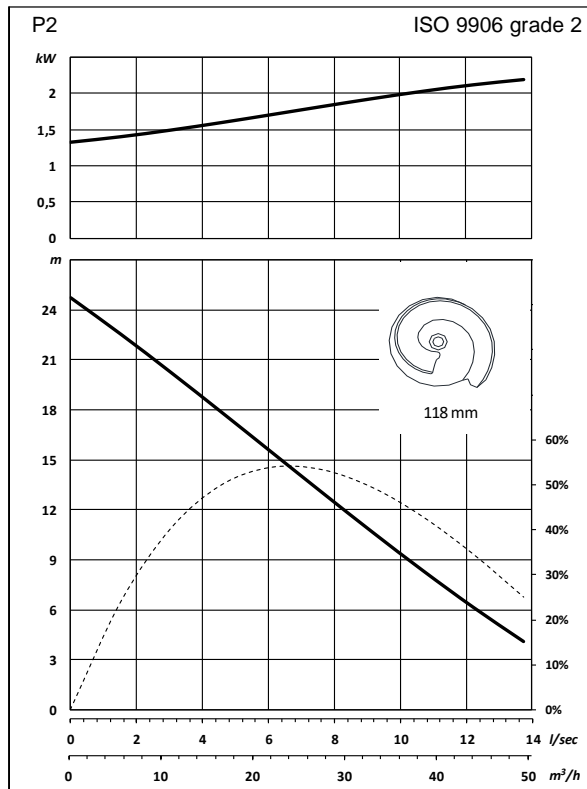
Pump casing Cast iron GG 25 (EN-GJL-250)  
 Impeller Sg Cast iron GN 40 (EN-GJS-400-15)  
 Motor unit Cast iron GG 25 (EN-GJL-250)  
 Shaft AISI 431  
 Alt: AISI 316  
 Bolts AISI 316  
 Elastomers Nitrile (NBR) or neoprene (CR)  
 Alt: viton (FPM)  
 Electrical cable Neoprene (CR)  
 Seal lubrication Oil  
 Seal pump side Silicon carbide – silicon carbide  
 Seal motor side Carbon - Ceramic  
 Coating Two components polyurethane

**Installation options**

Header coupling BWK 050 or BWK065 or BWK 080   
 Guide bar coupling OWK 050 or OWK065-N   
 Freestanding 50 mm or 75 mm hose connection or G 2" threaded connection 

**Optional**

- Thermo switches in stator windings
- Cable protective sheathing (AISI 316)
- Water detector in motor and oil chamber



**Connections**

		Electrical cable size [mm2]		motor protection and/or water detector	
voltage	current				
[V]*	[A]	direct start		direct start	
230	7.9	4G1.5		7G1.5	
400	4.5	4G1.5		7G1.5	
500	3.6	4G1.5		7G1.5	
starting current DOL start : 5.3 x rated current					
* other voltages on request					

Pump type: Submersible pump  
 Application: Waste water

**Pump data**

Solids passage 30 mm  
 Discharge NW50/65, PN10  
 Suction 50 mm  
 Impeller type: open single channel  
 Impeller diameter 107 mm  
 Recommended min. flow 2 l/sec (8 m3/h)  
 Weight 41 kg

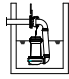
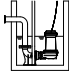
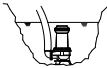
**Motor**

Mains: 50 c/s – 3 phase  
 Rated shaft power 1.5 kW  
 Rated electrical power 2.1 kW  
 Nominal speed 2790 rpm  
 Motor efficiency 71 %  
 Power factor (cos phi) 0.91  
 Degree of protection IP 68  
 Isolation class F (155°C)  
 Max. water temperature 40°C  
 Standard cable length 10 m

**Materials**

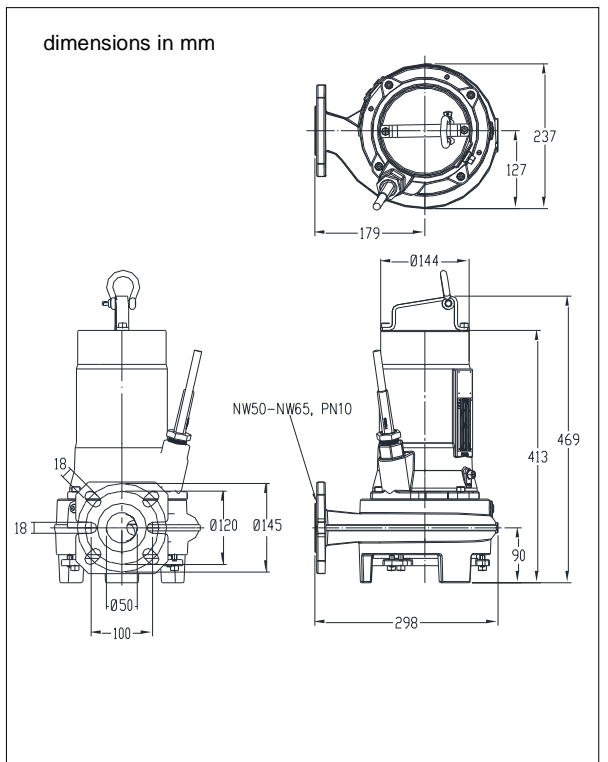
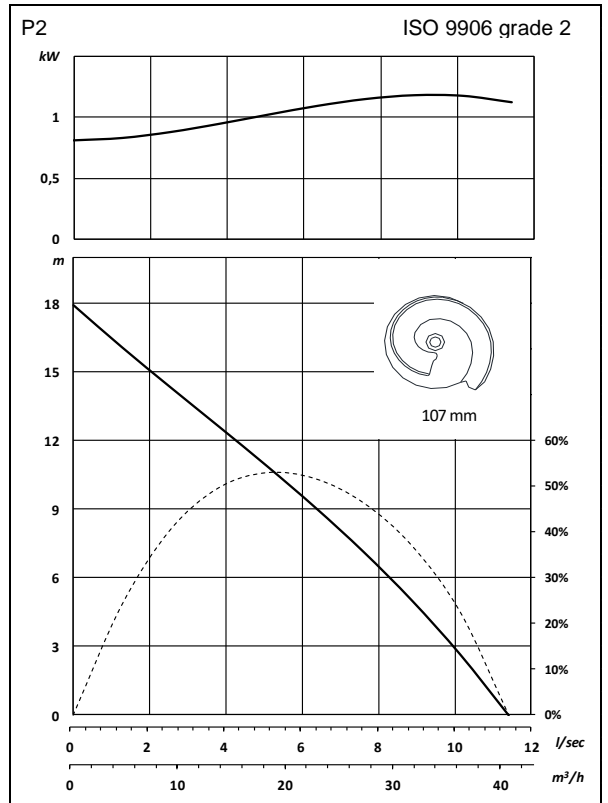
Pump casing Cast iron GG 25 (EN-GJL-250)  
 Impeller Sg Cast iron GN 40 (EN-GJS-400-15)  
 Motor unit Cast iron GG 25 (EN-GJL-250)  
 Shaft AISI 431  
 Alt: AISI 316  
 Bolts AISI 316  
 Elastomers Nitrile (NBR) or neoprene (CR)  
 Alt: viton (FPM)  
 Electrical cable Neoprene (CR)  
 Seal lubrication Oil  
 Seal pump side Silicon carbide – silicon carbide  
 Seal motor side Carbon - Ceramic  
 Coating Two components polyurethane

**Installation options**

Header coupling BWK 050 or BWK065 or BWK 080   
 Guide bar coupling OWK 050 or OWK065-N   
 Freestanding 50 mm or 75 mm hose connection or G 2" threaded connection 

**Optional**

- Thermo switches in stator windings
- Cable protective sheathing (AISI 316)
- Water detector in motor and oil chamber



**Connections**

		Electrical cable size [mm <sup>2</sup> ]		motor protection and/or water detector	
voltage	current	direct start		direct start	
[V]*	[A]				
230	5.8	4G1.5		7G1.5	
400	3.3	4G1.5		7G1.5	
500	2.7	4G1.5		7G1.5	
starting current DOL start : 4.8 x rated current					
* other voltages on request					