

Pump type:	Dry installed pump
Application:	Waste water, Sewage
Solids passage	80 mm
Discharge	NW80, PN10
Suction	NW100, PN10
Impeller type:	Closed screw impeller
Impeller diameter	220 – 160 mm
Recommended min. flow	3.5 l/sec (13 m <sup>3</sup> /h)
Weight (HX version)	110 kg

**Materials**

Pump parts	Cast iron GG 25 ( EN-GJL-250)
Impeller	S.g. iron GGG 40 (EN-GJS-400-15)
Pump shaft	AISI 431 (X20 CrNi 17 2)
	Alt: AISI 316 (X5 CrNiMo 17 12 2)
	S235JR
Pump support	AISI 316 (X5 CrNiMo 17 12 2)
Bolts	AISI 316 (X5 CrNiMo 17 12 2)
Seal lubrication	Oil
Seal pump side	Silicon carbide – Silicon carbide
Seal motor side	Carbon – Ceramic
Coating	Two component polyurethane

**Installation options**

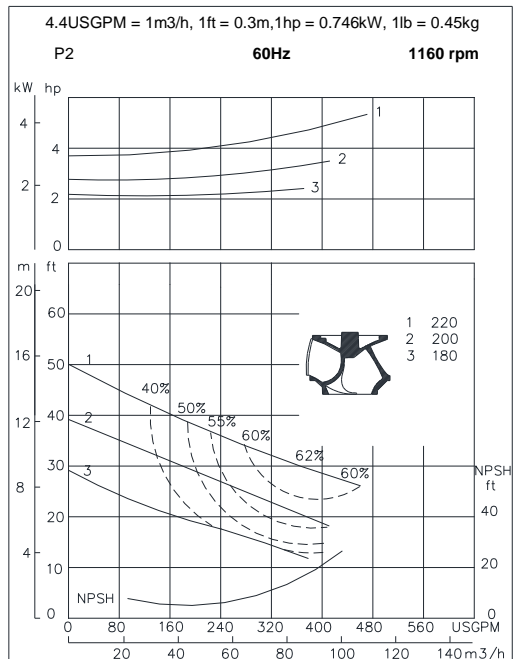
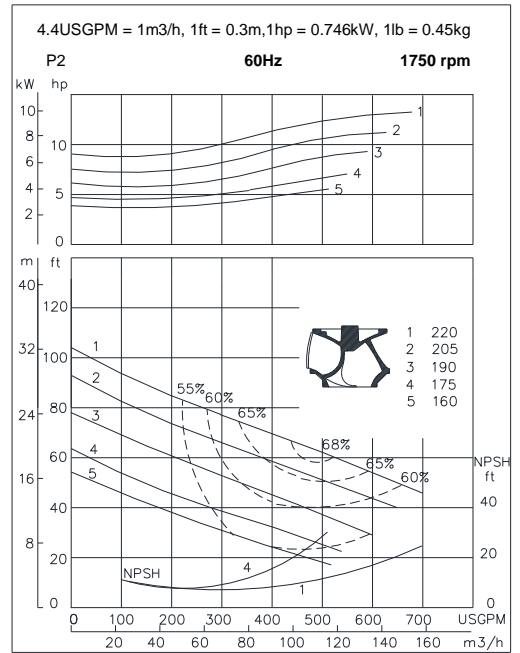
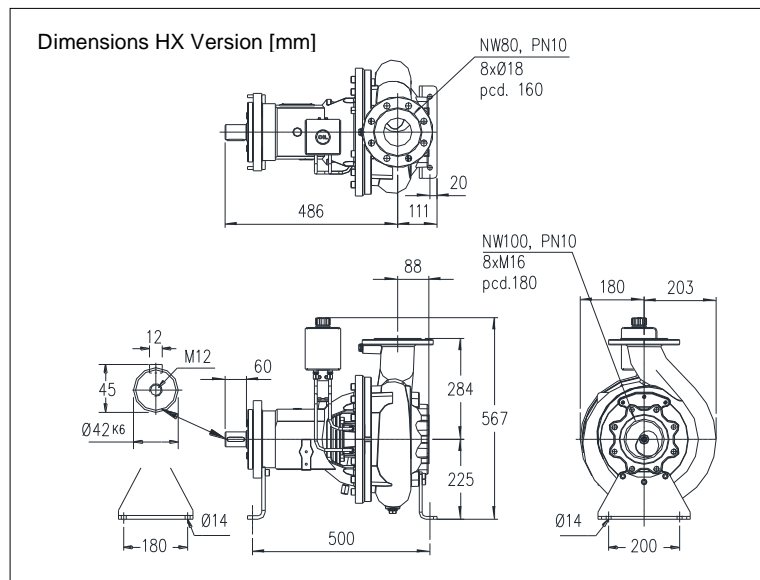
Horizontal bare shaft	HX	with motor and support	HM
Vertical bare shaft	VX	with motor and stand	VM
V-belt driven	KM		

**Available motors (IP55)**

Size	kW	rpm
IEC 112M	2.2	1160
	4.0	1750
IEC 132S	3.0	1160
	5.5	1750
IEC132M	4.0	1160
	5.5	1160
	7.5	1750
IEC 160M	7.5	1160
	11.0	1750

**Optional**

- Seal flushing



Pump type:	Dry installed pump
Application:	Waste water, Sewage
Solids passage	100 mm
Discharge	NW100, PN10
Suction	NW125, PN10
Impeller type:	Closed screw impeller
Impeller diameter	250 – 155 mm
Recommended min. flow	6 l/sec (21 m3/h)
Weight (HX version)	150 kg

**Materials**

Pump parts	Cast iron GG 25 ( EN-GJL-250)
Impeller	S.g. iron GGG 40 (EN-GJS-400-15)
Pump shaft	AISI 431 (X20 CrNi 17 2)
	Alt: AISI 316 (X5 CrNiMo 17 12 2)
	S235JR
Pump support	AISI 316 (X5 CrNiMo 17 12 2)
Bolts	AISI 316 (X5 CrNiMo 17 12 2)
Seal lubrication	Oil
Seal pump side	Silicon carbide – Silicon carbide - FPM
Seal motor side	Carbon – Ceramic - NBR
Coating	Two component polyurethane

**Installation options**

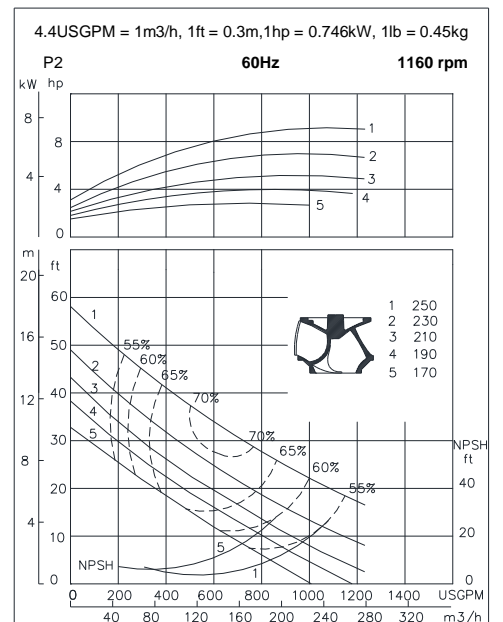
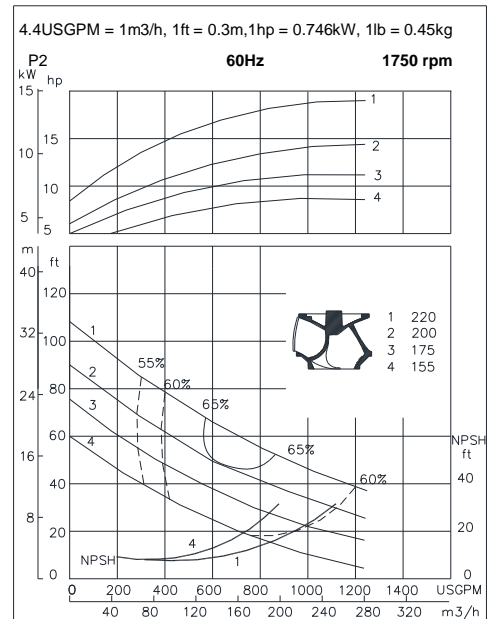
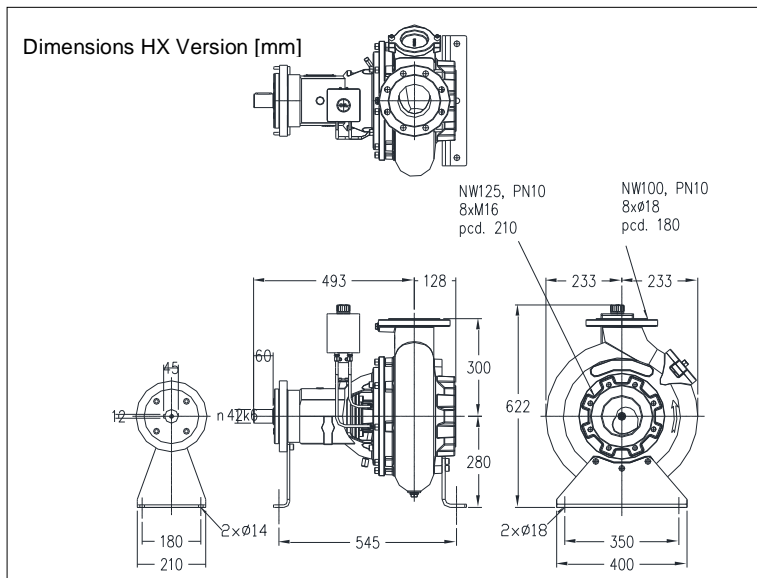
Horizontal bare shaft	HX	with motor and support	HM
Vertical bare shaft	VX	with motor and stand	VM
V-belt driven	KM		

**Available motors (IP55)**

Size	kW	rpm
IEC 132S	3.0	1160
	5.5	1750
IEC132M	4.0	1160
	5.5	1160
	7.5	1750
IEC 160M	7.5	1160
	11.0	1750
IEC 160L	11.0	1160
	15.0	1750
IEC 180M	18.5	1750

**Optional**

- Seal flushing



Pump type:	Dry installed pump
Application:	Waste water, Sewage
Solids passage	100 mm
Discharge	NW150, PN10
Suction	NW150, PN10
Impeller type:	Closed screw impeller
Impeller diameter	255 – 175 mm
Recommended min. flow	13 l/sec (47 m <sup>3</sup> /h)
Weight (HX version)	185 kg

**Materials**

Pump parts	Cast iron GG 25 ( EN-GJL-250)
Impeller	S.g. iron GGG 40 (EN-GJS-400-15)
Pump shaft	AISI 431 (X20 CrNi 17 2)
	Alt: AISI 316 (X5 CrNiMo 17 12 2)
	S235JR
Pump support	AISI 316 (X5 CrNiMo 17 12 2)
Bolts	AISI 316 (X5 CrNiMo 17 12 2)
Seal lubrication	Oil
Seal pump side	Silicon carbide – Silicon carbide - FPM
Seal motor side	Carbon – Ceramic - NBR
Coating	Two component polyurethane

**Installation options**

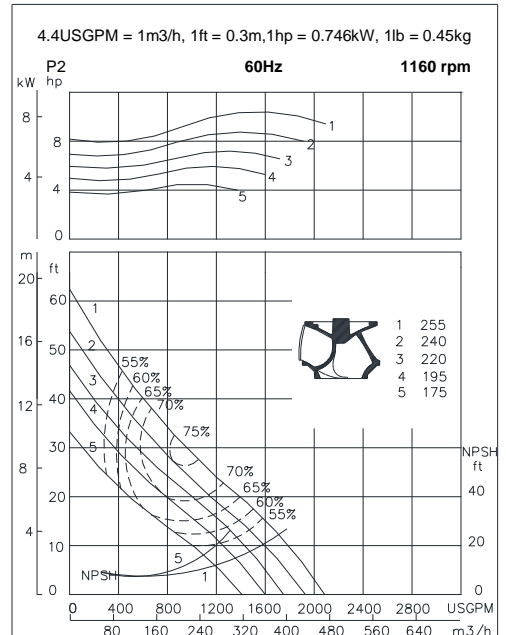
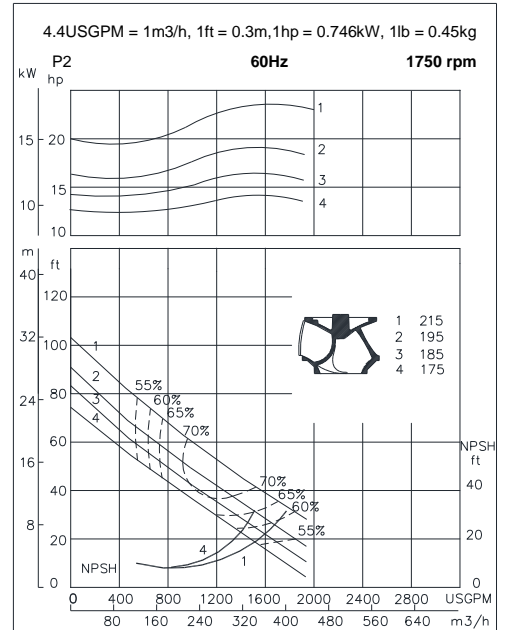
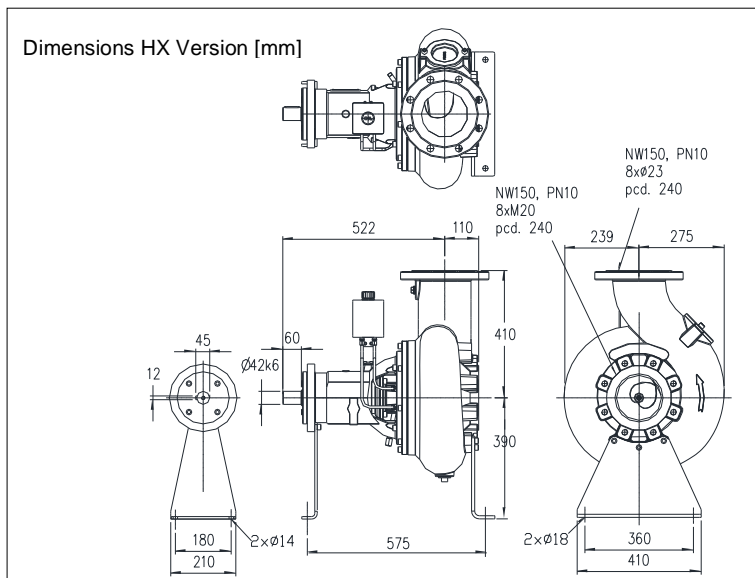
Horizontal bare shaft	HX	with motor and support	HM
Vertical bare shaft	VX	with motor and stand	VM
V-belt driven	KM		

**Available motors (IP55)**

Size	kW	rpm
IEC 132S	3.0	1160
	5.5	1750
IEC132M	4.0	1160
	5.5	1160
	7.5	1750
IEC 160M	7.5	1160
	11.0	1750
IEC 160L	11.0	1160
	15.0	1750
IEC 180M	18.5	1750

**Optional**

- Seal flushing



Pump type:	Dry installed pump
Application:	Waste water, Sewage
Solids passage	110 mm
Discharge	NW150, PN16 (8xØ23 at Ø240)
Suction	NW200, PN16 (12xM20 at Ø295)
Impeller type:	Closed screw impeller
Impeller diameter	300 – 210 mm
Recommended min. flow	13 l/sec (47 m3/h)
Weight (HX version)	270 kg

**Materials**

Pump parts	Cast iron GG 25 ( EN-GJL-250)
Impeller	S.g. iron GGG 40 (EN-GJS-400-15)
Pump shaft	AISI 431 (X20 CrNi 17 2)
	Alt: AISI 316 (X5 CrNiMo 17 12 2)
Pump support	S235JR
Bolts	AISI 316 (X5 CrNiMo 17 12 2)
Seal lubrication	Oil
Seal pump side	Silicon carbide – Silicon carbide - FPM
Seal motor side	Carbon – Ceramic - FPM
Coating	Two component Polyurethane

**Installation options**

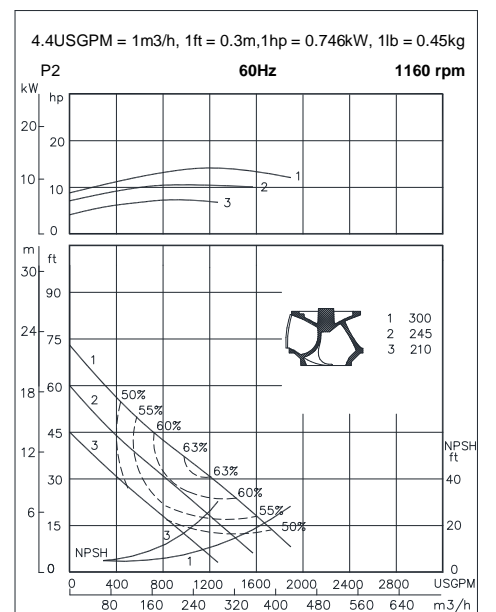
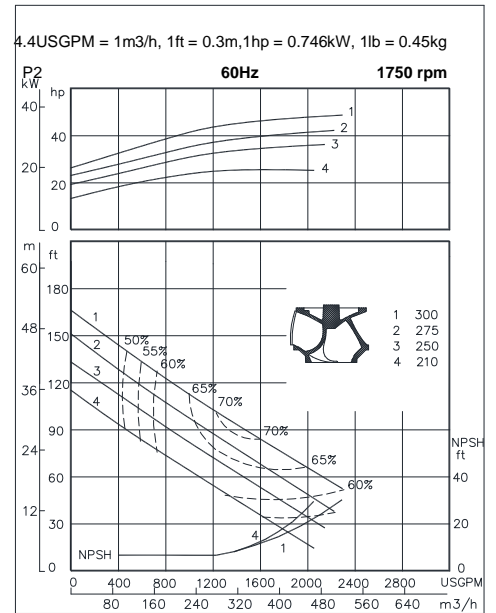
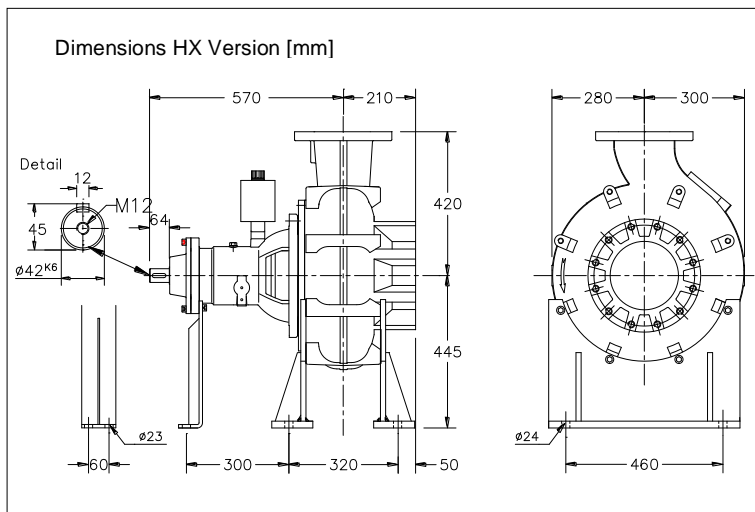
Horizontal bare shaft	HX	with motor and support	HM
Vertical bare shaft	VX	with motor and stand	VM
V-belt driven	KM		

**Available motors (IP55)**

Size	kW	rpm
IEC132M	4.0	1160
	5.5	1160
IEC 160M	11.0	1750
IEC 160L	11.0	1160
	15.0	1750
IEC 180M	18.5	1750
IEC 180L	15.0	1160
	22.0	1750

**Optional**

- Seal flushing



Pump type:	Dry installed pump
Application:	Waste water, Sewage
Solids passage	125 mm
Discharge	NW200, PN16 (12xØ23 at Ø295)
Suction	NW200, PN16 (12xM20 at Ø295)
Impeller type:	Closed screw impeller
Impeller diameter	332 – 275 mm
Recommended min. flow	13 l/sec (47 m3/h)
Weight (HX version)	305 kg

**Materials**

Pump parts	Cast iron GG 25 ( EN-GJL-250)
Impeller	S.g. iron GGG 40 (EN-GJS-400-15)
Pump shaft	AISI 431 (X20 CrNi 17 2)
	Alt: AISI 316 (X5 CrNiMo 17 12 2)
Pump support	S235JR
Bolts	AISI 316 (X5 CrNiMo 17 12 2)
Seal lubrication	Oil
Seal pump side	Silicon carbide – Silicon carbide - FPM
Seal motor side	Carbon – Ceramic - FPM
Coating	Two component Polyurethane

**Installation options**

Horizontal bare shaft	HX	with motor and support	HM
Vertical bare shaft	VX	with motor and stand	VM
V-belt driven	KM		

**Available motors (IP55)**

Size	kW	rpm
IEC 160L	11.0	1160
	15.0	1750
IEC 180M	18.5	1750
	22.0	1750
IEC 180L	15.0	1160
	22.0	1750
IEC 200L	18.5	1160
	30.0	1750
IEC 225S	37.0	1750
	45.0	1750
IEC 250M	55.0	1750

**Optional**

- Seal flushing
- Duplex impeller 1.4460

