

Pump type: Dry installed cutter pump

Application: Waste water, sewage

Discharge diameter: NW40, NW50  
 Suction diameter: NW80  
 Impeller type: cutter  
 Impeller diameters: 150 - 106 mm  
 Recommended min. flow: 0.5 l/sec (2 m3/h)  
 Weight (HS version): ±50 kg

**Materials**

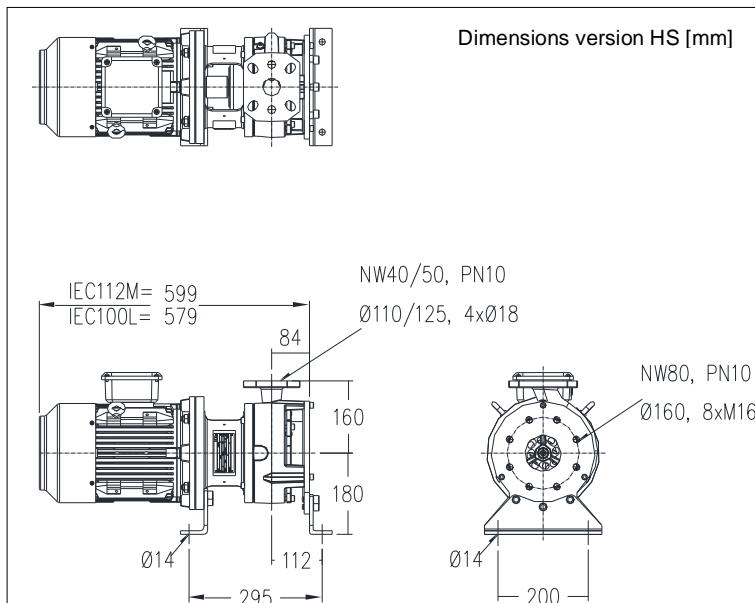
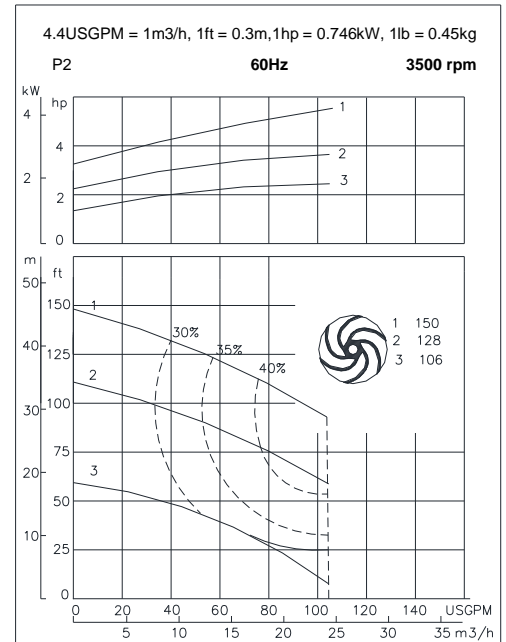
Pump parts: Cast iron GG 25 ( EN-GJL-250)  
 Impeller: Cast iron GG 25 ( EN-GJL-250)  
 Cutter: Hardened chrome steel  
 Pump shaft: AISI 304  
 Pump support: Alt: AISI 316  
 Bolts: S235JR  
 Elastomers: AISI 316  
 Seal lubrication: Nitrile (NBR) or neoprene (CR)  
 Seal pump side: Alt: viton (FPM)  
 Seal motor side: Oil  
 Coating: Silicon carbide – silicon carbide  
 Carbon - Ceramic  
 Two component polyurethane

**Installation options**

Horizontal short coupled: HS  
 Vertical short coupled: VS

**Available motors (IP55)**

Size	kW	rpm
IEC100L	3.0	3500
IEC112M	4.0	3500



Pump type: Dry installed cutter pump

Application: Waste water, sewage

Discharge diameter NW40, NW50  
 Suction diameter NW80  
 Impeller type: cutter  
 Impeller diameters 130 - 96 mm  
 Recommended min. flow 0.5 l/sec (2 m<sup>3</sup>/h)  
 Weight (HS version) ±50 kg

**Materials**

Pump parts Cast iron GG 25 ( EN-GJL-250)  
 Impeller Cast iron GG 25 ( EN-GJL-250)  
 Cutter Hardened chrome steel  
 Pump shaft AISI 304  
 Pump support Alt: AISI 316  
 Bolts S235JR  
 Elastomers AISI 316  
 Seal lubrication Nitrile (NBR) or neoprene (CR)  
 Seal pump side Oil  
 Seal motor side Silicon carbide – silicon carbide  
 Coating Carbon - Ceramic  
 Two component polyurethane

**Installation options**

Horizontal short coupled HS  
 Vertical short coupled VS

**Available motors (IP55)**

Size	kW	rpm
IEC100L	3.0	3500
IEC112M	4.0	3500

