

Pump type:	Dry installed cutter pump
Application:	Waste water, sewage
Discharge diameter	NW40, NW50
Suction diameter	NW80
Impeller type:	cutter
Impeller diameters	175, 160, 150, 136, 120 mm
Recommended min. flow	0.5 l/sec (2 m <sup>3</sup> /h)
Weight (HS version)	±50 kg

**Materials**

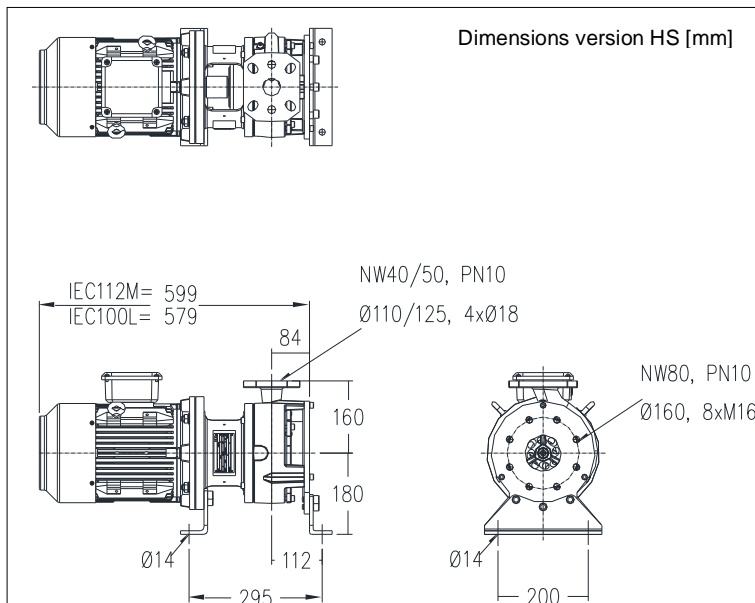
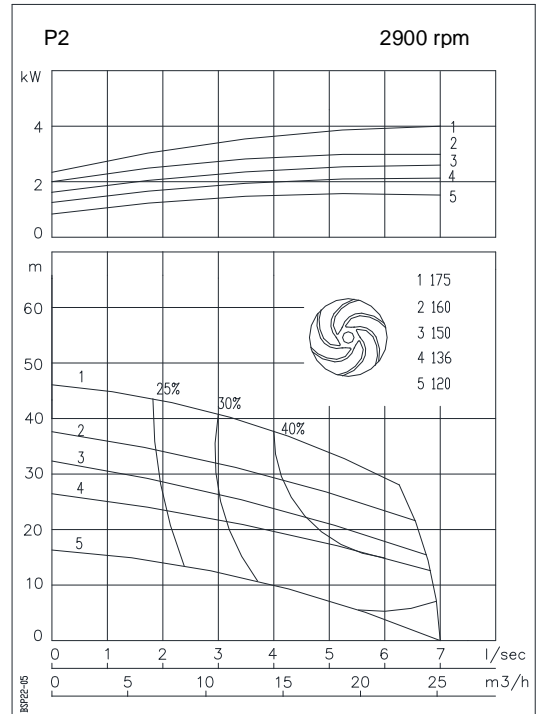
Pump parts	Cast iron GG 25 ( EN-GJL-250)
Impeller	Cast iron GG 25 ( EN-GJL-250)
Cutter	Hardened chrome steel
Pump shaft	AISI 304
	Alt: AISI 316
Pump support	S235JR
Bolts	AISI 316
Elastomers	Nitrile (NBR) or neoprene (CR)
	Alt: viton (FPM)
Seal lubrication	Oil
Seal pump side	Silicon carbide – silicon carbide
Seal motor side	Carbon - Ceramic
Coating	Two component polyurethane

**Installation options**

Horizontal short coupled	HS
Vertical short coupled	VS

**Available motors (IP55)**

Size	kW	rpm
IEC 100L	3.0	2900
IEC112M	4.0	2900



Pump type:	Dry installed cutter pump
Application:	Waste water, sewage
Discharge diameter	NW40, NW50
Suction diameter	NW80
Impeller type:	cutter
Impeller diameters	160, 152, 142, 132, 122, 110 mm
Recommended min. flow	0.5 l/sec (2 m <sup>3</sup> /h)
Weight (HS version)	±50 kg

**Materials**

Pump parts	Cast iron GG 25 ( EN-GJL-250)
Impeller	Cast iron GG 25 ( EN-GJL-250)
Cutter	Hardened chrome steel
Pump shaft	AISI 304
	Alt: AISI 316
Pump support	S235JR
Bolts	AISI 316
Elastomers	Nitrile (NBR) or neoprene (CR)
	Alt: viton (FPM)
Seal lubrication	Oil
Seal pump side	Silicon carbide – silicon carbide
Seal motor side	Carbon - Ceramic
Coating	Two component polyurethane

**Installation options**

Horizontal short coupled	HS
Vertical short coupled	VS

**Available motors (IP55)**

Size	kW	rpm
IEC 100L	3.0	2900
IEC112M	4.0	2900

