

Pump type: Dry installed cutter pump

Application: Waste water, sewage

Discharge diameter NW40, NW50
 Suction diameter NW80
 Impeller type: cutter
 Impeller diameters 150 - 106 mm
 Recommended min. flow 0.5 l/sec (2 m3/h)
 Weight (HS version) ±50 kg

Materials

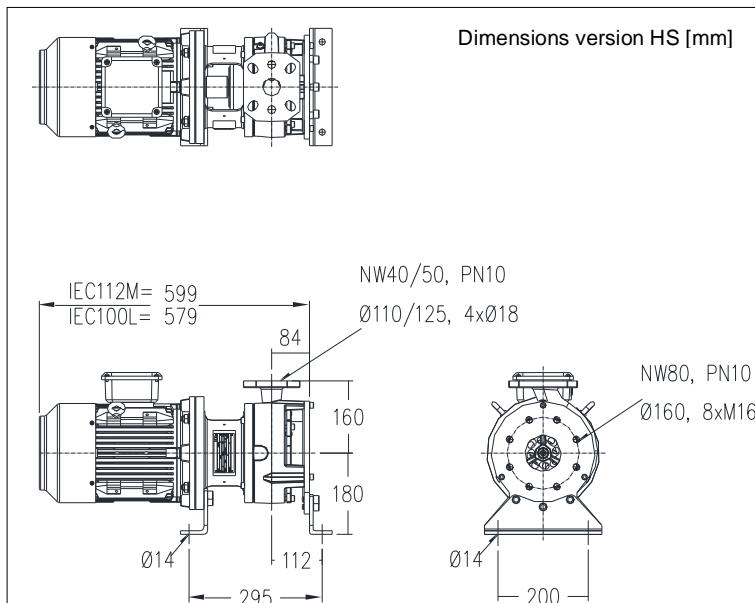
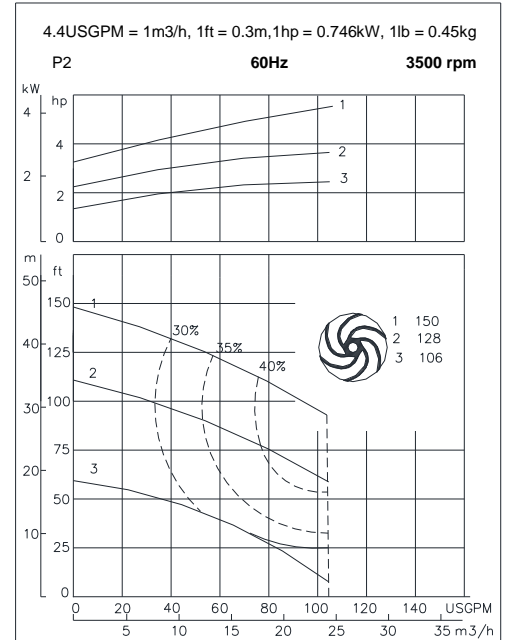
Pump parts Cast iron GG 25 (EN-GJL-250)
 Impeller Cast iron GG 25 (EN-GJL-250)
 Cutter Hardened chrome steel
 Pump shaft AISI 304
 Alt: AISI 316
 Pump support S235JR
 Bolts AISI 316
 Elastomers Nitrile (NBR) or neoprene (CR)
 Alt: viton (FPM)
 Seal lubrication Oil
 Seal pump side Silicon carbide – silicon carbide
 Seal motor side Carbon - Ceramic
 Coating Two component polyurethane

Installation options

Horizontal short coupled HS
 Vertical short coupled VS

Available motors (IP55)

Size	kW	rpm
IEC100L	3.0	3500
IEC112M	4.0	3500



Pump type: Dry installed cutter pump

Application: Waste water, sewage

Discharge diameter NW40, NW50
 Suction diameter NW80
 Impeller type: cutter
 Impeller diameters 130 - 96 mm
 Recommended min. flow 0.5 l/sec (2 m3/h)
 Weight (HS version) ±50 kg

Materials

Pump parts Cast iron GG 25 (EN-GJL-250)
 Impeller Cast iron GG 25 (EN-GJL-250)
 Cutter Hardened chrome steel
 Pump shaft AISI 304
 Pump support Alt: AISI 316
 Bolts S235JR
 Elastomers AISI 316
 Nitrile (NBR) or neoprene (CR)
 Seal lubrication Alt: viton (FPM)
 Seal pump side Oil
 Seal motor side Silicon carbide – silicon carbide
 Coating Carbon - Ceramic
 Two component polyurethane

Installation options

Horizontal short coupled HS
 Vertical short coupled VS

Available motors (IP55)

Size	kW	rpm
IEC100L	3.0	3500
IEC112M	4.0	3500

