

Pump type:	Dry installed cutter pump
Application:	Waste water, sewage
Discharge diameter	2"
Suction diameter	3"
Impeller type:	cutter
Impeller diameters	150 -106
Recommended min. flow	9 USGPM
Weight (HS version)	±110 lbs

**Materials**

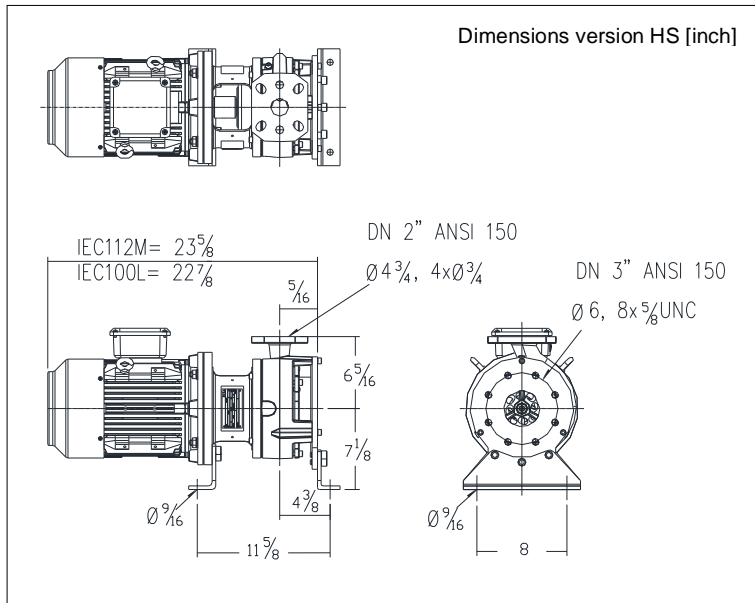
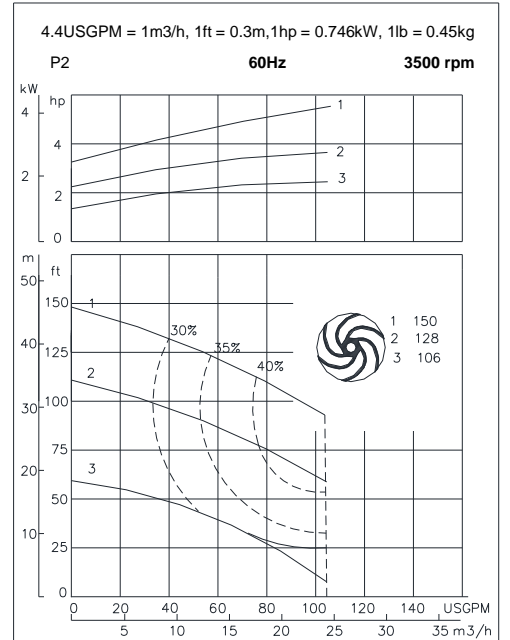
Pump parts	Cast iron ASTM A-48 CI35
Impeller	Cast iron ASTM A-48 CI35
Cutter	Hardened chrome steel
Pump shaft	AISI 304
	Alt: AISI 316
Pump support	S235JR
Bolts	AISI 316
Elastomers	Nitrile (NBR) or Neoprene (CR)
	Alt: Viton (FPM)
Seal lubrication	Oil
Seal pump side	Silicon carbide – Silicon carbide
Seal motor side	Carbon - Ceramic
Coating	Two component polyurethane

**Installation options**

Horizontal short coupled	HS
Vertical short coupled	VS

**Available motors (IP55)**

Size	HP	rpm
IEC100L	4.0	3500
IEC112M	5.5	3500



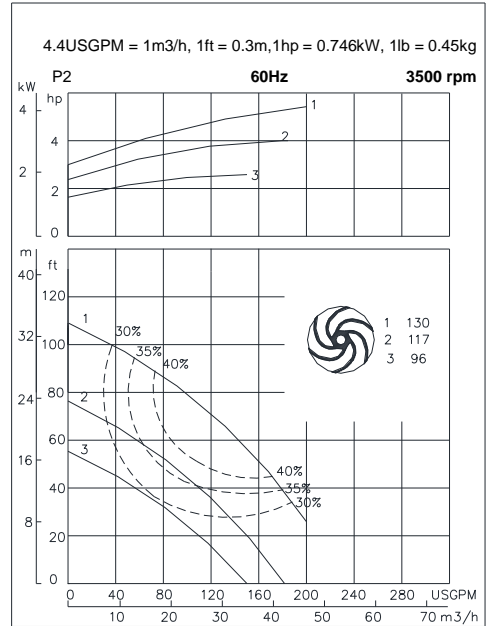
Pump type: Dry installed cutter pump

Application: Waste water, sewage

Discharge diameter 2"  
 Suction diameter 3"  
 Impeller type: cutter  
 Impeller diameters 130 - 96  
 Recommended min. flow 9 USGPM  
 Weight (HS version) ±110 lbs

**Materials**

Pump parts Cast iron ASTM A-48 CI35  
 Impeller Cast iron ASTM A-48 CI35  
 Cutter Hardened chrome steel  
 Pump shaft AISI 304  
 Alt: AISI 316  
 S235JR  
 Pump support AISI 316  
 Bolts AISI 316  
 Elastomers Nitrile (NBR) or Neoprene (CR)  
 Alt: viton (FPM)  
 Oil  
 Seal lubrication Silicon carbide – Silicon carbide  
 Seal pump side Carbon - Ceramic  
 Seal motor side Two component polyurethane  
 Coating



**Installation options**

Horizontal short coupled HS  
 Vertical short coupled VS

**Available motors (IP55)**

Size	HP	rpm
IEC100L	4.0	3500
IEC112M	5.5	3500

