

Pump type: Submersible pump
 Application: Waste water, sewage

Pump data

Solids passage 125 mm
 Discharge/ Suction NW200/ NW200, PN16
 Impeller type: Closed screw impeller
 Impeller diameter 260 - 265 mm
 Recommended min. flow 23 l/sec (84 m3/h)
 Weight 400 kg

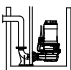

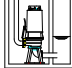
Motor

Mains: 60Hz – 3 phase
 Rated shaft power 39.0 kW
 Rated electrical power 45.3 kW
 Nominal speed 1730 rpm
 Motor efficiency 86 %
 Power factor (cos phi) 0.86
 Degree of protection IP 68
 Isolation class F (155°C)
 Max. water temperature 40°C
 Standard cable length 10 m

Materials

Pump casing AISI 329
 Impeller AISI 329
 Motor unit AISI 329
 Shaft AISI 431
 Bolts AISI 316
 Elastomers Viton (FPM)
 Electrical cable Neoprene (CR)
 Seal lubrication Oil
 Seal pump side Silicon carbide – silicon carbide - FPM
 Seal motor side Carbon – Ceramic - FPM

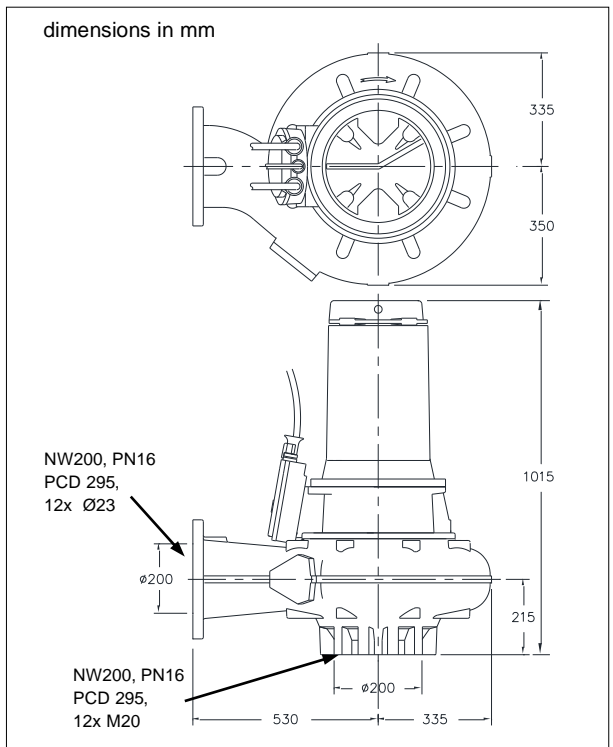
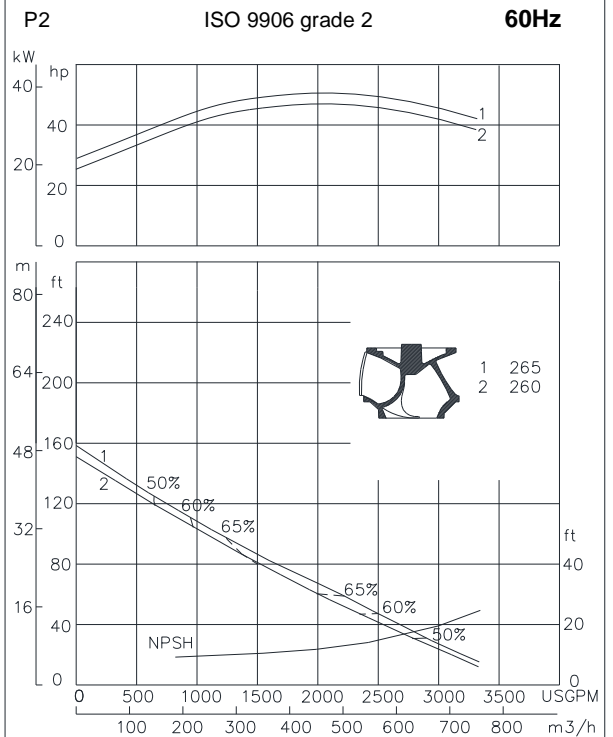
Installation options

Guide bar coupling OWK 200-N (cast iron) 
 Freestanding 200 mm hose connection 
 Including support (VRS)
 Dry Installation vertical or horizontal install. 
 Including cooling system discharge NW200, PN16
 (ODO) suction NW200, PN16

Optional

- Flameproof version, to class: II 2 G Ex d IIB c T4
 Standard: II 2 G Ex b c d IIB T4 Gb
 With Frequency control: II 2 G Ex b c d IIB T3 Gb
- Version with cooling system
- Cable protective sheathing (AISI 316)
- Water detector in motor and oil chamber

4.4USGPM = 1m3/h, 1ft = 0.3m, 1hp = 0.746kW, 1lb = 0.45kg



Connections

voltage	current	Electrical cable size [mm ²]			
		motor protection and/or water detector		flameproof version	
[V]*	[A]	direct start	stardelta start	direct start	stardelta start
220	138.7	-	-	-	-
460	66.4	4G16 + 4G2.5	2x 4G10 + 4G2.5	4G16 + 4G2.5	2x 4G10 + 4G2.5
575	53.1	4G16 + 4G2.5	2x 4G6 + 4G2.5	4G16 + 4G2.5	2x 4G6 + 4G2.5
starting current DOL start : 4.5 x rated current					
starting current YD start : 1.5 x rated current					